

EDD

CAD#33-7006-20.00

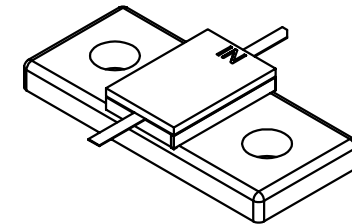
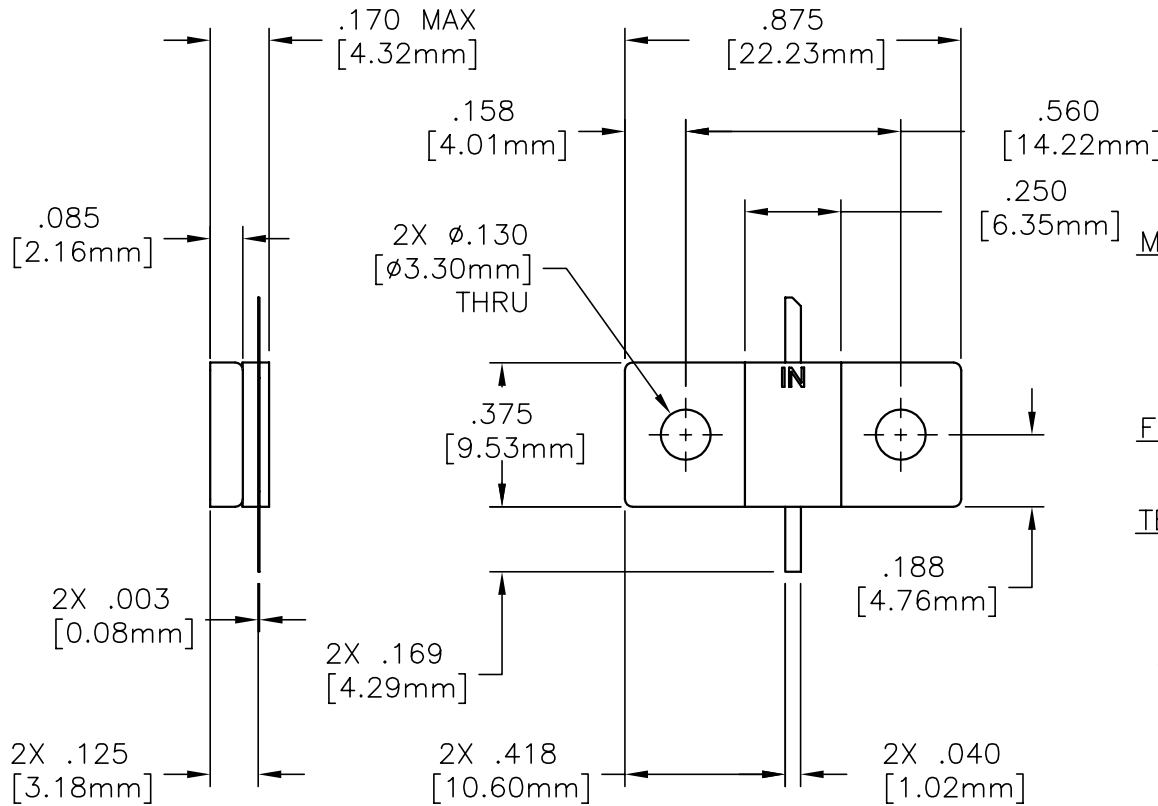
DRAWING NO.:

33-7006-20.00

REV.

N/C

NOTES:
UNLESS OTHERWISE SPECIFIED, TOLERANCES ARE $\pm .010$ " [.254mm].



MATERIALS:

MTG. FLANGE: COPPER PER ASTM B187

SUBSTRATE: ALUMINUM NITRIDE

COVER: ALUMINA

TAB: BERYLLIUM COPPER PER ASTM B194

RESISTIVE FILM: NICHROME

FINISH:

MTG. FLANGE: NICKEL OVER COPPER

TAB: GOLD PER MIL-G-45204

TECHNICAL:

NOMINAL IMPEDANCE (OHMS): 50

FREQUENCY RANGE (GHz): DC-2.0

TEMPERATURE COEFFICIENT: ± 200 PPM/ $^{\circ}$ C MAX

OPERATING TEMP. ($^{\circ}$ C): -55° TO $+150^{\circ}$

VSWR (MAX): 1.15:1 DC-1.0 GHz


1.30:1 1.0-1.9 GHz

1.35:1 1.9-2.0 GHz

INPUT POWER (WATTS): 125

ATTENUATION STABILITY: .0001 dB/dB/ $^{\circ}$ C

*ATTENUATION ACCURACY: 20.00 dB \pm 1.0 dB

				ECN# 01240	APVD OA	DATE 02/15/02	REFERENCE	 8851 OLD KANSAS AVE. STUART, FL. 34997 772-286-9300
				UNLESS OTHERWISE SPECIFIED 1. DO NOT SCALE DRAWING 2. DIMENSIONS ARE IN INCHES 3. DIMENSIONS ARE AFTER PLATING 4. CORNERS, EDGES AND FILLETS: R MAX 5. SURFACE ROUGHNESS: 6. REMOVE ALL BURRS			ERICSSON	
				TOLERANCES .X \pm .XX \pm .XXX \pm ANGLES X' \pm			MATERIAL	TITLE ATTENUATOR, FLANGE MOUNT, 125 WATT, 20.00dB
				THE INFORMATION CONTAINED HEREIN IS: (A) CONSIDERED PROPRIETARY TO FLORIDA RF LABS INC.; (B) PROTECTED BY COPYRIGHT OWNED BY FLORIDA RF LABS INC.; (C) CONSIDERED A "WORK FOR HIRE" UNDER COPYRIGHT LAW; (D) PROTECTED BY TRADE SECRET LAWS WHICH MAKE ILLEGAL THE MISAPPROPRIATION OF THIS INFORMATION; AND (E) IS TO BE USED SOLELY FOR THE PURPOSE WHICH IT IS SUPPLIED. THIS INFORMATION SHALL NOT BE DISCLOSED IN WHOLE OR IN PART, TO ANY PARTY, FOR ANY REASON WITHOUT THE EXPRESS WRITTEN CONSENT OF A QUALIFIED EXECUTIVE OF FLORIDA RF LABS INC.			FINISH	
				SCALE	CAGE CODE ID NO.	SIZE	DRAWING NO.:	REV.
				2/1	2Y194	A	33-7006-20.00	N/C
REV.	DESCRIPTION	DRAWN	APVD.	MFG:	CHKD.:	DRAWN: BLP 02/05/02	SHEET	OF