

EDD

NOTES:
UNLESS OTHERWISE SPECIFIED, TOLERANCES ARE $\pm .010$ " [0.254mm].

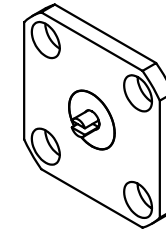
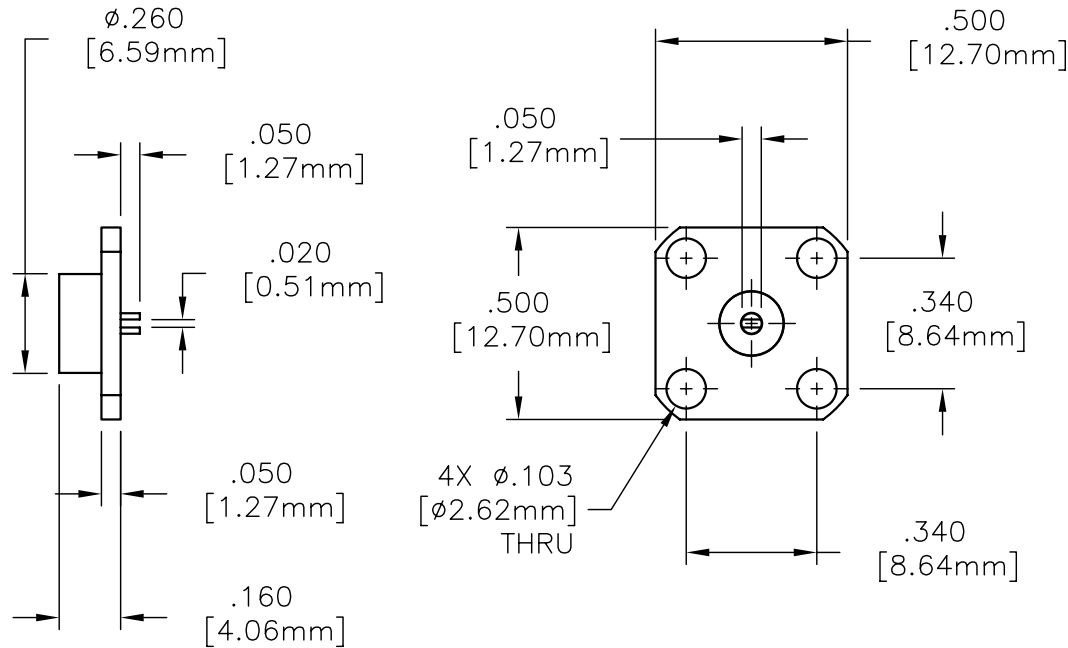
CAD#42-0002F

DRAWING NO.:

42-0002

REV.

F



MATERIALS:


MTG. FLANGE: BRASS PER QQ-B-626
SUBSTRATE: ALUMINA OXIDE
TAB: BRASS PER QQ-B-626
RESISTIVE FILM: NICHROME

FINISH:

MTG. FLANGE: NICKEL OVER COPPER
TAB: GOLD OVER COPPER

TECHNICAL:

NOMINAL IMPEDANCE (OHMS): 50
FREQUENCY RANGE (GHz): DC-18.0
TEMPERATURE COEFFICIENT: ± 200 PPM/ $^{\circ}$ C MAX
OPERATING TEMPERATURE ($^{\circ}$ C): -55° TO $+150^{\circ}$
VSWR (MAX): 1.20:1
AVERAGE POWER (WATTS): 1
DC RESISTANCE: 50.0 OHMS $\pm 5\%$

				ECN# N/A	APVD	DATE	REFERENCE	 8851 OLD KANSAS AVE. STUART, FL. 34997 772-286-9300				
				UNLESS OTHERWISE SPECIFIED			CATALOG	TITLE TERMINATION, FLANGE MOUNT, 1 WATT				
F	ECN#01425	BLP 06/23/02		1. DO NOT SCALE DRAWING 2. DIMENSIONS ARE IN INCHES 3. DIMENSIONS ARE AFTER PLATING 4. CORNERS, EDGES AND FILLETS: R 5. SURFACE ROUGHNESS: 6. REMOVE ALL BURRS			MATERIAL					
E	ECN# N/A	-									FINISH	
D	ECN# N/A	-										
C	ECN# N/A	-		TOLERANCES								
				.X \pm								
				.XX \pm	ANGLES X' \pm							
				.XXX \pm								
B	ECN# N/A	-		THE INFORMATION CONTAINED HEREIN IS: (A) CONSIDERED PROPRIETARY TO FLORIDA RF LABS INC.; (B) PROTECTED BY COPYRIGHT OWNED BY FLORIDA RF LABS INC.; (C) CONSIDERED A "WORK FOR HIRE" UNDER COPYRIGHT LAW; (D) PROTECTED BY TRADE SECRET LAWS WHICH MAKE ILLEGAL THE MISAPPROPRIATION OF THIS INFORMATION; AND (E) IS TO BE USED SOLELY FOR THE PURPOSE WHICH IT IS SUPPLIED. THIS INFORMATION SHALL NOT BE DISCLOSED IN WHOLE OR IN PART, TO ANY PARTY, FOR ANY REASON WITHOUT THE EXPRESS WRITTEN CONSENT OF A QUALIFIED EXECUTIVE OF FLORIDA RF LABS INC.			SCALE	CAGE CODE ID NO.	SIZE	DRAWING NO.:	REV.	
A	ECN# N/A	-					2/1	2Y194	A	42-0002	F	
REV.	DESCRIPTION	DRAWN	APVD.	MFG: -	CHKD.: -	DRAWN: BLP 06/23/02	SHEET	OF				