

EDD

NOTES:
UNLESS OTHERWISE SPECIFIED, TOLERANCES ARE $\pm .010$ " [.254mm].

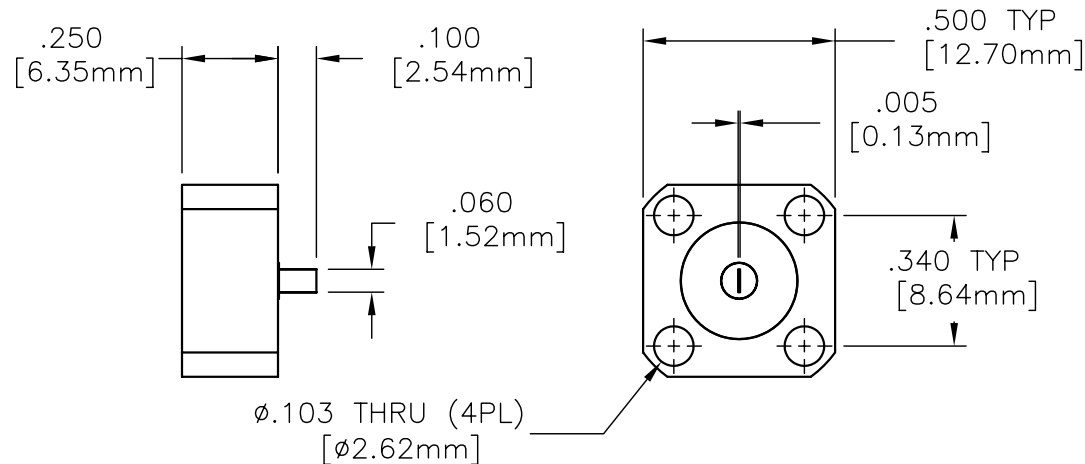
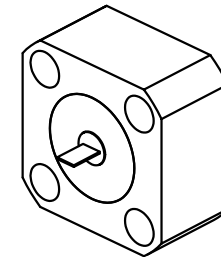
CAD#42-1047_B

DRAWING NO.:

42-1047

REV.

B



MATERIALS:

BODY: COPPER PER ASTM B301
CONTACT: BRASS PER QQ-B-626,
1/2 HD, ALLOY 360


SUBSTRATE: BERYLLIUM OXIDE
CONTACT: BERYLLIUM COPPER
RESISTIVE FILM: NICHROME

FINISH:

BODY: NICKEL PER QQ-N-290A
CONTACT: GOLD PER MIL-G-45204B

TECHNICAL: (TERMINATION)

NOMINAL IMPEDANCE (OHMS): 50
FREQUENCY RANGE (GHz): DC - 18
VSWR (MAX): 1.35:1
AVERAGE POWER (WATTS): 30
DC RESISTANCE: 50.0 OHMS \pm 5%
TEMPERATURE COEFFICIENT: \pm 200 PPM MAX
OPERATING TEMPERATURE (°C): -55° TO +150°

				RLSE# 01815	APVD MTG	DATE 07/95	REFERENCE	 8851 OLD KANSAS AVE. STUART, FL. 34997 772-286-9300			
				UNLESS OTHERWISE SPECIFIED 1. DO NOT SCALE DRAWING 2. DIMENSIONS ARE IN INCHES 3. DIMENSIONS ARE AFTER PLATING 4. CORNERS, EDGES AND FILLETS: R 5. SURFACE ROUGHNESS: 6. REMOVE ALL BURRS			CATALOG		TITLE		
				TOLERANCES .X \pm .XX \pm .XXX \pm ANGLES X° \pm			MATERIAL -		TERMINATION, STRIPLINE FLANGE 30 WATT		
B	ECN#02110	ALM 10/23/03		THE INFORMATION CONTAINED HEREIN IS: (A) CONSIDERED PROPRIETARY TO FLORIDA RF LABS INC.; (B) PROTECTED BY COPYRIGHT OWNED BY FLORIDA RF LABS INC.; (C) CONSIDERED A "WORK FOR HIRE" UNDER COPYRIGHT LAW; (D) PROTECTED BY TRADE SECRET LAWS WHICH MAKE ILLEGAL THE MISAPPROPRIATION OF THIS INFORMATION; AND (E) IS TO BE USED SOLELY FOR THE PURPOSE WHICH IT IS SUPPLIED. THIS INFORMATION SHALL NOT BE DISCLOSED IN WHOLE OR IN PART, TO ANY PARTY, FOR ANY REASON WITHOUT THE EXPRESS WRITTEN CONSENT OF A QUALIFIED EXECUTIVE OF FLORIDA RF LABS INC.			SCALE	CAGE CODE ID NO.	SIZE	DRAWING NO.:	REV.
A	RLSE#01815	PSC 07/95	MTG 07/95				2/1	2Y194	A	42-1047	B
REV.	DESCRIPTION	DRAWN	APVD.	MFG:			CHKD.: NAK 10/09/97	DRAWN: PSC 07/14/95	SHEET	OF	