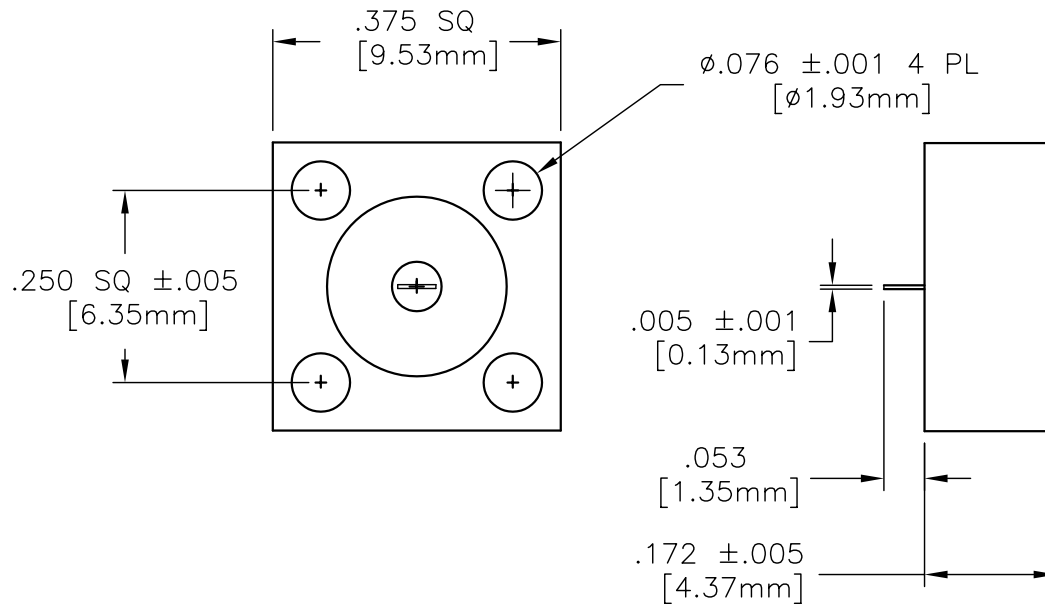


EDD

NOTES:
1. UNLESS OTHERWISE SPECIFIED, TOLERANCES ARE $\pm .010$ " [.254mm].

CAD#42-1057_A DRAWING NO.: **42-1057** REV. **A**



MATERIALS:

BODY: COPPER PER ASTM B301
CONTACT: BERYLLIUM COPPER PER QQ-C-530
INSULATOR: TEFLON PER MIL-P-19468
SUBSTRATE: BERYLLIUM OXIDE
RESISTIVE FILM: NICHROME


FINISH:

BODY: NICKEL PER QQ-N-290
CONTACT: GOLD PER MIL-G-45204

TECHNICAL: (TERMINATION)

NOMINAL IMPEDANCE (OHMS): 50
FREQUENCY RANGE (GHz): DC TO 18.0
TEMPERATURE COEFFICIENT: ± 200 PPM MAX
OPERATING TEMPERATURE ($^{\circ}$ C): -55° TO $+125^{\circ}$
VSWR (MAX): DC-4.0: 1.10:1
4.0 - 8.0: 1.15:1
8.0 - 12.0: 1.20:1
12.0 - 18.0: 1.30:1

AVERAGE POWER (WATTS): 15
DC RESISTANCE: 50 OHMS $\pm 5\%$

				RLSE# 02093	APVD MTG	DATE 02/12/97	REFERENCE	 8851 OLD KANSAS AVE. STUART, FL. 34997 772-286-9300			
UNLESS OTHERWISE SPECIFIED 1. DO NOT SCALE DRAWING 2. DIMENSIONS ARE IN INCHES 3. DIMENSIONS ARE AFTER PLATING 4. CORNERS, EDGES AND FILLETS: R MAX 5. SURFACE ROUGHNESS: 6. REMOVE ALL BURRS							MATERIAL		TITLE		
TOLERANCES .X \pm .XX \pm .XXX \pm ANGLES X' \pm							FINISH		TERMINATION, FLANGE 15 WATT		
				THE INFORMATION CONTAINED HEREIN IS: (A) CONSIDERED PROPRIETARY TO FLORIDA RF LABS INC.; (B) PROTECTED BY COPYRIGHT OWNED BY FLORIDA RF LABS INC.; (C) CONSIDERED A "WORK FOR HIRE" UNDER COPYRIGHT LAW; (D) PROTECTED BY TRADE SECRET LAWS WHICH MAKE ILLEGAL THE MISAPPROPRIATION OF THIS INFORMATION; AND (E) IS TO BE USED SOLELY FOR THE PURPOSE WHICH IT IS SUPPLIED. THIS INFORMATION SHALL NOT BE DISCLOSED IN WHOLE OR IN PART, TO ANY PARTY, FOR ANY REASON WITHOUT THE EXPRESS WRITTEN CONSENT OF A QUALIFIED EXECUTIVE OF FLORIDA RF LABS INC.			SCALE 1/1	CAGE CODE ID NO. 2Y194	SIZE A	DRAWING NO.: 42-1057	REV. A
REV.	DESCRIPTION	DRAWN	APVD.				MFG: MJK 02/12/97	CHKD.: RF 02/12/97	DRAWN: PSC 02/03/97	SHEET	OF