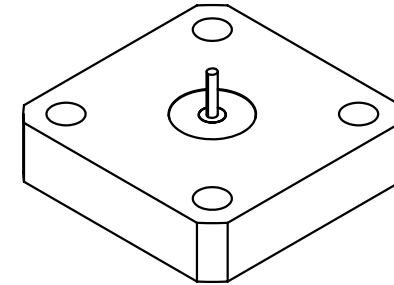
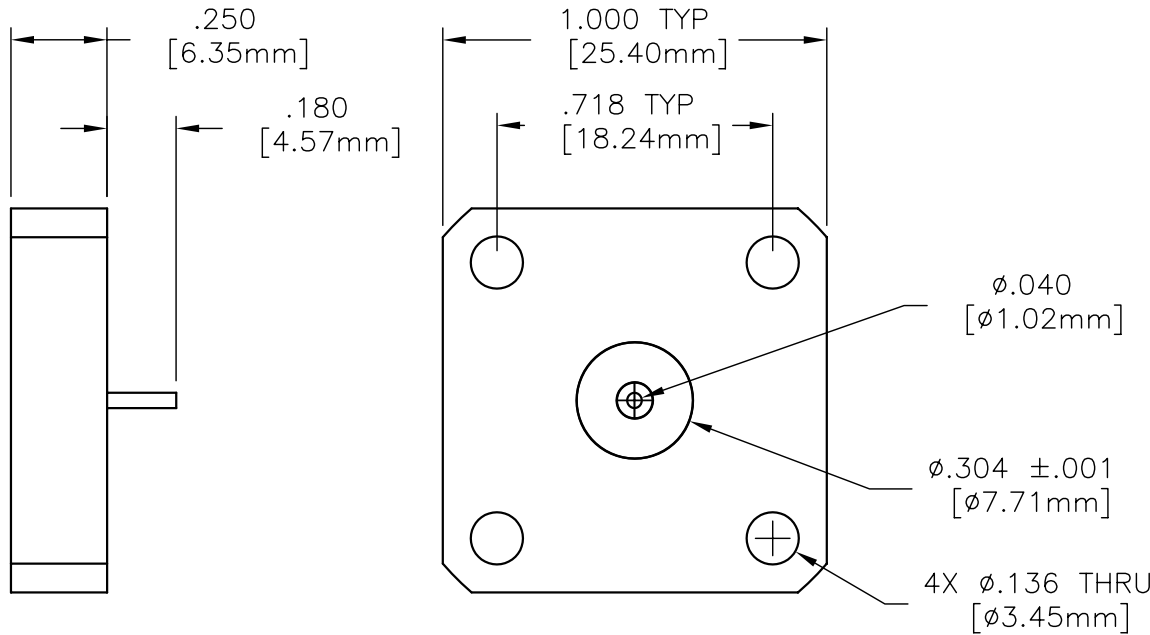


EDD

NOTES:
1. UNLESS OTHERWISE SPECIFIED, TOLERANCES ARE $\pm .010$ " [.254mm].


CAD#42-1077 DRAWING NO.: **42-1077** REV. **N/C**



MATERIALS:
 MTG. FLANGE: COPPER PER ASTM B-301
 SUBSTRATE: BeO
 INSULATOR: TEFLON PER MIL-P-19468
 CONTACT: BRASS PER QQ-B-626
 RESISTIVE FILM: NICHROME

FINISH:
 MTG. FLANGE: NICKEL PER QQ-N-290
 CONTACT: GOLD

TECHNICAL: (TERMINATION)
 NOMINAL IMPEDANCE (OHMS): 50
 FREQUENCY RANGE (MHz): 800 - 2,200
 TEMPERATURE COEFFICIENT: ± 200 PPM MAX
 OPERATING TEMPERATURE (°C): -55° TO +150°
 VSWR (MAX): 1.22:1
 AVERAGE POWER (WATTS): 30
 DC RESISTANCE: $50 \pm 5\%$

				ECN# 01775	APVD	DATE	REFERENCE		 8851 OLD KANSAS AVE. STUART, FL. 34997 772-286-9300		
				UNLESS OTHERWISE SPECIFIED 1. DO NOT SCALE DRAWING 2. DIMENSIONS ARE IN INCHES 3. DIMENSIONS ARE AFTER PLATING 4. CORNERS, EDGES AND FILLETS: R MAX 5. SURFACE ROUGHNESS: 6. REMOVE ALL BURRS			CUSTOMER DWG: 58D6402X01				
				TOLERANCES .X ± .XX ± .XXX ±			MATERIAL		TITLE TERMINATION, FLANGE MOUNT 30 WATT		
				ANGLES X° ±			FINISH				
				THE INFORMATION CONTAINED HEREIN IS: (A) CONSIDERED PROPRIETARY TO FLORIDA RF LABS INC.; (B) PROTECTED BY COPYRIGHT OWNED BY FLORIDA RF LABS INC.; (C) CONSIDERED A "WORK FOR HIRE" UNDER COPYRIGHT LAW; (D) PROTECTED BY TRADE SECRET LAWS WHICH MAKE ILLEGAL THE MISAPPROPRIATION OF THIS INFORMATION; AND (E) IS TO BE USED SOLELY FOR THE PURPOSE WHICH IT IS SUPPLIED. THIS INFORMATION SHALL NOT BE DISCLOSED IN WHOLE OR IN PART, TO ANY PARTY, FOR ANY REASON WITHOUT THE EXPRESS WRITTEN CONSENT OF A QUALIFIED EXECUTIVE OF FLORIDA RF LABS INC.			SCALE	CAGE CODE ID NO.	SIZE	DRAWING NO.:	REV.
REV.	DESCRIPTION	DRAWN	APVD.				2/1	2Y194	A	42-1077	N/C
				MFG:		CHKD.:		DRAWN: ALM 11/21/02		SHEET OF	