

EDD

NOTES:
UNLESS OTHERWISE SPECIFIED, TOLERANCES ARE $\pm .010$ " [.254mm].

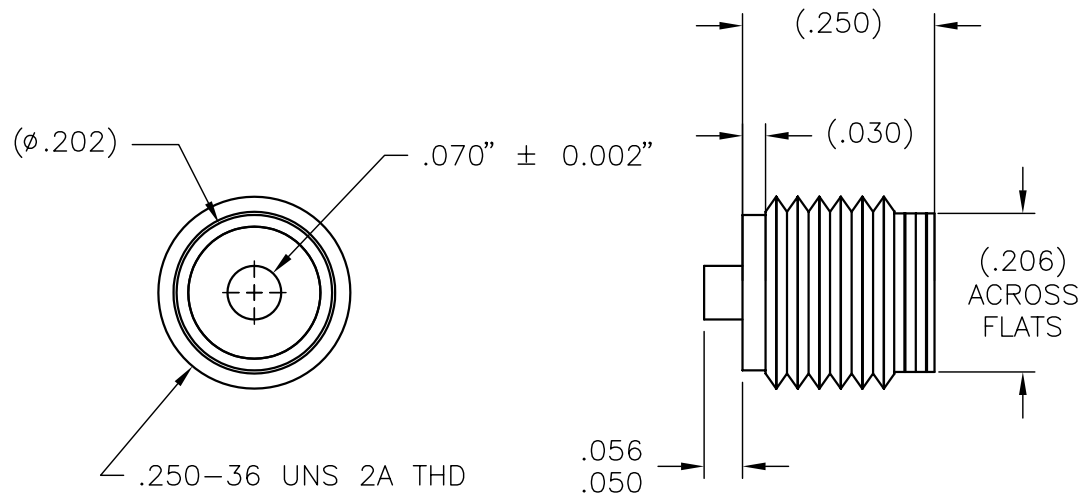
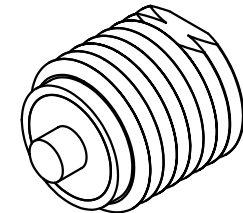
CAD#42-3008_D

DRAWING NO.:

42-3008

REV.

D



MATERIALS:


BODY: BeCu PER ASTM B194
CONTACT: BeCu PER QQ-C-530
INSULATOR: TEFLON PER MIL-P-19468
RESISTOR: ALUMINA

FINISH:

BODY: NICKEL PER QQ-N-290
CONTACT: GOLD PER MIL-G-45204

TECHNICAL DATA:

RESISTANCE: 50 OHMS \pm 5%
FREQUENCY: DC-18.0 GHz
VSWR: 1.30:1
AVERAGE POWER: 3 WATTS

				ECN# 01605	APVD	DATE	REFERENCE	 8851 OLD KANSAS AVE. STUART, FL. 34997 772-286-9300			
				UNLESS OTHERWISE SPECIFIED 1. DO NOT SCALE DRAWING 2. DIMENSIONS ARE IN INCHES 3. DIMENSIONS ARE AFTER PLATING 4. CORNERS, EDGES AND FILLETS: R 5. SURFACE ROUGHNESS: 6. REMOVE ALL BURRS			MATERIAL	TITLE TERMINATION, THREADED, 3 WATT			
							TOLERANCES .X \pm .XX \pm .XXX \pm ANGLES X° \pm				FINISH
				THE INFORMATION CONTAINED HEREIN IS: (A) CONSIDERED PROPRIETARY TO FLORIDA RF LABS INC.; (B) PROTECTED BY COPYRIGHT OWNED BY FLORIDA RF LABS INC.; (C) CONSIDERED A "WORK FOR HIRE" UNDER COPYRIGHT LAW; (D) PROTECTED BY TRADE SECRET LAWS WHICH MAKE ILLEGAL THE MISAPPROPRIATION OF THIS INFORMATION; AND (E) IS TO BE USED SOLELY FOR THE PURPOSE WHICH IT IS SUPPLIED. THIS INFORMATION SHALL NOT BE DISCLOSED IN WHOLE OR IN PART, TO ANY PARTY, FOR ANY REASON WITHOUT THE EXPRESS WRITTEN CONSENT OF A QUALIFIED EXECUTIVE OF FLORIDA RF LABS INC.			SCALE	CAGE CODE ID NO.	SIZE	DRAWING NO.:	REV.
D	EN#04-F0050	ALM 02/09/04					4/1	2Y194	A	42-3008	D
REV.	DESCRIPTION	DRAWN	APVD.	MFG:	CHKD.:	DRAWN:	SHEET	OF			
				MJK 10/16/02	DR 10/15/02	ALM 10/11/02					