

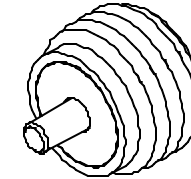
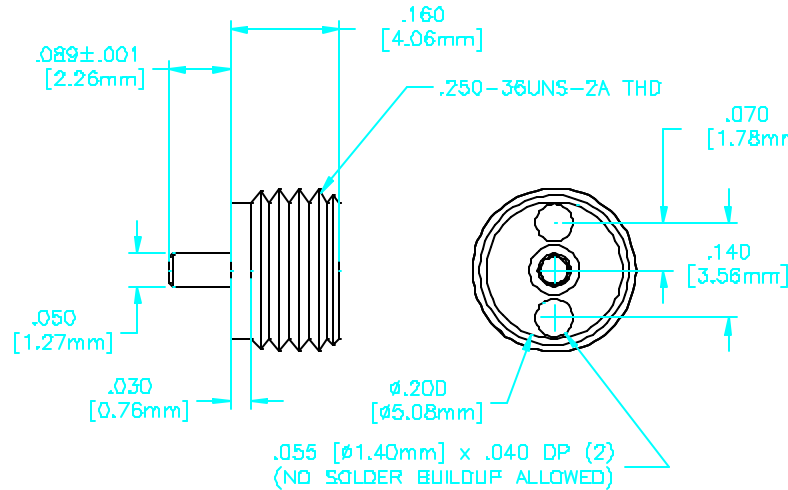
EDD

NOTES:
UNLESS OTHERWISE SPECIFIED, TOLERANCES ARE $\pm .010^*$ [.254mm].

CAD#42-3010d

DRAWING NO.-
42-3010


REV.
D



MATERIALS:
BODY: BERYLLIUM COPPER PER QQ-C-530
SUBSTRATE: ALUMINA
INSULATOR: TEFLON PER MIL-P-1946B
CONTACT: BERYLLIUM COPPER PER QQ-C-530
RESISTIVE FILM: NICHROME

FINISH:
BODY: NICKEL PER QQ-N-290
CONTACT: GOLD OVER NICKEL

TECHNICAL: (TERMINATION)
NOMINAL IMPEDANCE (OHMS): 50
FREQUENCY RANGE (GHz): DC 18.0 GHz
TEMPERATURE COEFFICIENT: ± 200 PPM MAX
OPERATING TEMPERATURE (°C): -55° TO +150°
VSWR (MAX): 1.30:1
AVERAGE POWER (WATTS): 2
DC RESISTANCE: 50 \pm 5%

ECN# 01574				APVD	DATE	REFERENCE	 8851 OLD KANSAS AVE. STUART, FL 34997 772-286-8300			
UNLESS OTHERWISE SPECIFIED 1. DO NOT SCALE DRAWING 2. DIMENSIONS ARE IN INCHES 3. DIMENSIONS ARE AFTER PLATING 4. CORNERS, EDGES AND FILLETS R MAX 5. SURFACE ROUGHNESS 6. REMOVE ALL BURRS						MATERIAL	TITLE			
TOLERANCES X \pm .XX \pm .XXX \pm ANGLES X° \pm						FINISH	TERMINATION, THREADED 2 WATT			
THE INFORMATION CONTAINED HEREIN IS: (A) CONSIDERED PROPRIETARY TO FLORIDA RF LABS INC. (B) PROVIDED BY EQUIPMENT MANUFACTURER OF FLORIDA RF LABS INC. (C) CONSIDERED A "TRAD" FOR "TRAD" UNDER COPYRIGHT LAWS BE PROTECTED BY TRADE SECRET LAWS WHICH MAKE ILLICIT THE REPRODUCTION OF THIS INFORMATION AND (D) IS TO BE USED ONLY FOR THE PURPOSES WHICH IT IS SUPPLIED. NO INFORMATION SHALL NOT BE DISCLOSED IN WHOLE OR IN PART, TO ANY PARTY, FOR ANY REASON WITHOUT THE EXPRESS WRITTEN CONSENT OF A QUALIFIED EXECUTIVE OF FLORIDA RF LABS INC.						SCALE	CAGE CODE ID NO.	SIZE	DRAWING NO.-	REV.
REV.	DESCRIPTION	DRAWN	APVD.			5/1	2Y194	A	42-3010	D
						MFG:	CHKD:		DRAWN: ALM 8/12/02	SHEET OF