

EDD

NOTES:  
UNLESS OTHERWISE SPECIFIED, TOLERANCES ARE  $\pm .010"$  [.254mm].

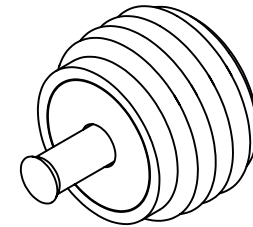
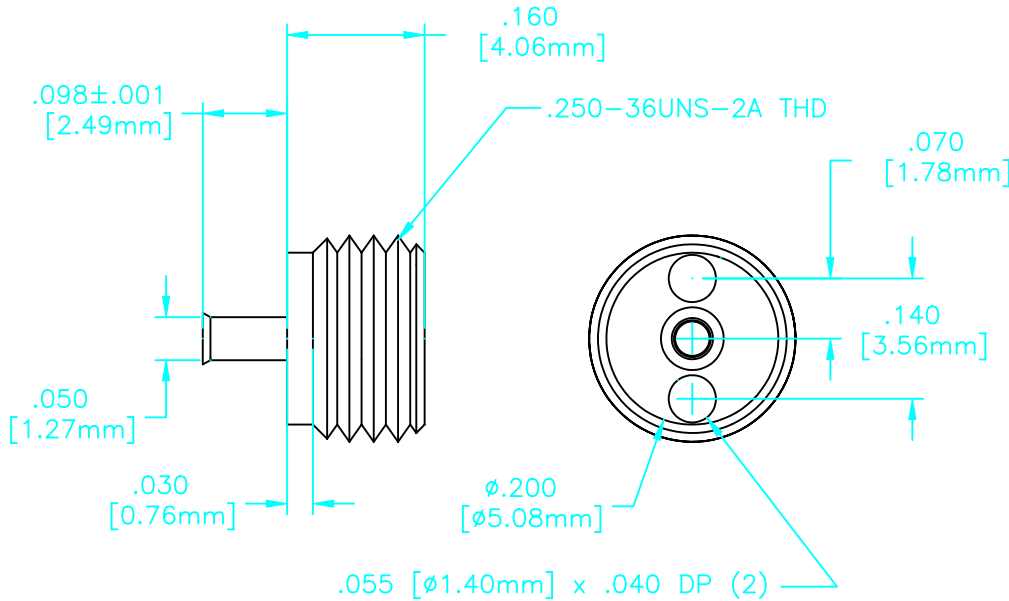
CAD#42-3018

DRAWING NO.:

42-3018

REV.

N/C



MATERIAL:


BODY: BeCu PER ASTM B196  
CONTACT: BeCu PER QQ-C-530  
INSULATOR: TEFLON PER MIL-P-19468  
RESISTOR: THIN FILM

FINISH:

BODY: NICKEL PER QQ-N-290  
CONTACT: GOLD PER MIL-G-45204

ELECTRICAL:

DC RESISTANCE:  $50 \pm 5\%$  OHMS  
FREQUENCY: DC-1.0 GHz  
VSWR: 1.50:1  
AVERAGE POWER: 2 WATTS  
OPERATING TEMPERATURE:  $-55^{\circ}$  TO  $+150^{\circ}$  C.

				EN# 04-F0164	APVD	DATE	REFERENCE	 8851 OLD KANSAS AVE. STUART, FL. 34997 772-286-9300			
				UNLESS OTHERWISE SPECIFIED 1. DO NOT SCALE DRAWING 2. DIMENSIONS ARE IN INCHES 3. DIMENSIONS ARE AFTER PLATING 4. CORNERS, EDGES AND FILLETS: R MAX 5. SURFACE ROUGHNESS: 6. REMOVE ALL BURRS			MATERIAL	TITLE TERMINATION, THREADED 2WATT			
				TOLERANCES .X ± .XX ± .XXX ± ANGLES X° ±			FINISH				
				THE INFORMATION CONTAINED HEREIN IS: (A) CONSIDERED PROPRIETARY TO FLORIDA RF LABS INC.; (B) PROTECTED BY COPYRIGHT OWNED BY FLORIDA RF LABS INC.; (C) CONSIDERED A "WORK FOR HIRE" UNDER COPYRIGHT LAW; (D) PROTECTED BY TRADE SECRET LAWS WHICH MAKE ILLEGAL THE MISAPPROPRIATION OF THIS INFORMATION; AND (E) IS TO BE USED SOLELY FOR THE PURPOSE WHICH IT IS SUPPLIED. THIS INFORMATION SHALL NOT BE DISCLOSED IN WHOLE OR IN PART, TO ANY PARTY, FOR ANY REASON WITHOUT THE EXPRESS WRITTEN CONSENT OF A QUALIFIED EXECUTIVE OF FLORIDA RF LABS INC.			SCALE	CAGE CODE ID NO.	SIZE	DRAWING NO.:	REV.
							5/1	2Y194	A	42-3018	N/C
REV.	DESCRIPTION	DRAWN	APVD.				MFG:	CHKD.:	DRAWN: AWM 05/04/04	SHEET OF	