

EDD

NOTES:
UNLESS OTHERWISE SPECIFIED, TOLERANCES ARE $\pm .005$ " [.130mm].

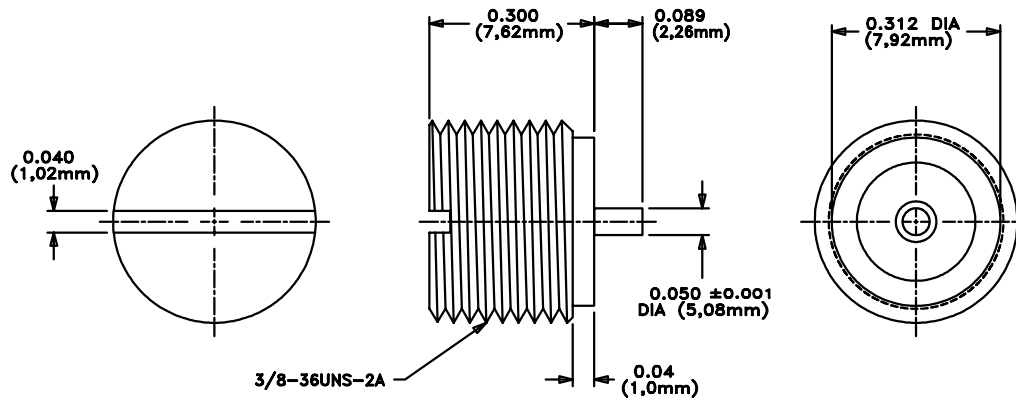
CAD#42-3024

DRAWING NO.:

42-3024

REV.

N/C



MATERIALS:


BODY: BRASS PER ASTM B16
CONTACT: BeCu PER ASTM B197
INSULATOR: TEFLON ASTM D1710
RESISTOR: BeO

FINISH:

BODY: NICKEL PER QQ-N-290
CONTACT: GOLD PER MIL-G-45204

TECHNICAL:

RESISTANCE: 50.0 OHMS \pm 5%
FREQUENCY: DC-18.0 GHZ
VSWR: DC TO 4.0 GHZ - 1.10 MAX
4.0 TO 8.0 GHZ - 1.15 MAX
8.0 TO 12.0 GHZ - 1.20 MAX
12.0 TO 18.0 GHZ - 1.30 MAX
AVERAGE POWER: 10 WATT

				ECN# 01816	APVD	DATE	REFERENCE	 8851 OLD KANSAS AVE. STUART, FL. 34997 772-286-9300				
				UNLESS OTHERWISE SPECIFIED 1. DO NOT SCALE DRAWING 2. DIMENSIONS ARE IN INCHES 3. DIMENSIONS ARE AFTER PLATING 4. CORNERS, EDGES AND FILLETS: R 5. SURFACE ROUGHNESS: 6. REMOVE ALL BURRS			MATERIAL		TITLE			
				TOLERANCES .X \pm .XX \pm .XXX \pm ANGLES X° \pm			FINISH	TERMINATION, THREADED, 10 WATT				
				THE INFORMATION CONTAINED HEREIN IS: (A) CONSIDERED PROPRIETARY TO FLORIDA RF LABS INC.; (B) PROTECTED BY COPYRIGHT OWNED BY FLORIDA RF LABS INC.; (C) CONSIDERED A "WORK FOR HIRE" UNDER COPYRIGHT LAW; (D) PROTECTED BY TRADE SECRET LAWS WHICH MAKE ILLEGAL THE MISAPPROPRIATION OF THIS INFORMATION; AND (E) IS TO BE USED SOLELY FOR THE PURPOSE WHICH IT IS SUPPLIED. THIS INFORMATION SHALL NOT BE DISCLOSED IN WHOLE OR IN PART, TO ANY PARTY, FOR ANY REASON WITHOUT THE EXPRESS WRITTEN CONSENT OF A QUALIFIED EXECUTIVE OF FLORIDA RF LABS INC.			SCALE		CAGE CODE ID NO.	SIZE	DRAWING NO.:	REV.
							-	2Y194	A	42-3024	N/C	
REV.	DESCRIPTION	DRAWN	APVD.				MFG:	CHKD.:	DRAWN: ALM	01/03/02	SHEET	OF