

EDD

CAD#81-3001TCB

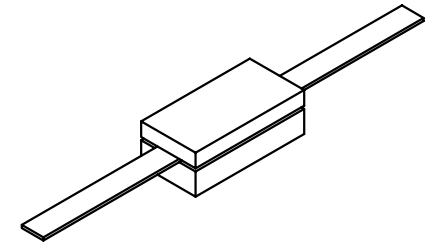
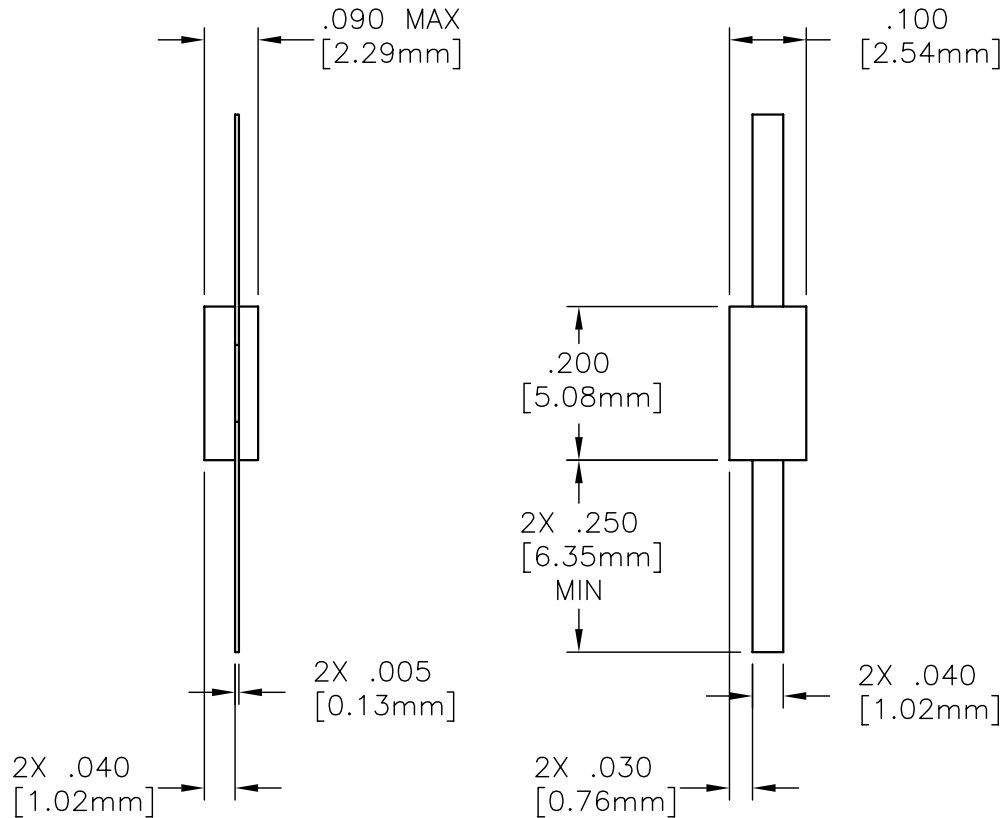
DRAWING NO.:

81-3001TC-\*

REV.

B

NOTES:  
UNLESS OTHERWISE SPECIFIED, TOLERANCES ARE  $\pm .010$ " [.254mm].



MATERIALS:


SUBSTRATE: BERYLLIUM OXIDE  
COVER: ALUMINA  
TAB: BERYLLIUM COPPER PER ASTM B194  
RESISTIVE FILM: NICHROME

FINISH:

TAB: TIN/LEAD PER MIL-T-10727

TECHNICAL:

FREQUENCY RANGE (GHz): DC-4.0  
TEMPERATURE COEFFICIENT:  $\pm 200$  PPM/ $^{\circ}$ C MAX  
OPERATING TEMPERATURE ( $^{\circ}$ C):  $-55^{\circ}$  TO  $+150^{\circ}$   
AVERAGE POWER (WATTS): 10  
\*DC RESISTANCE: 5-200 OHMS

				ECN#	N/A	APVD	DATE	REFERENCE		 <p>8851 OLD KANSAS AVE. STUART, FL. 34997 772-286-9300</p>							
				UNLESS OTHERWISE SPECIFIED				CATALOG			<p>TITLE</p> <p><b>CHIP, RESISTOR, 10 WATT</b></p>						
				<ol style="list-style-type: none"> <li>1. DO NOT SCALE DRAWING</li> <li>2. DIMENSIONS ARE IN INCHES</li> <li>3. DIMENSIONS ARE AFTER PLATING</li> <li>4. CORNERS, EDGES AND FILLETS: R</li> <li>5. SURFACE ROUGHNESS:</li> <li>6. REMOVE ALL BURRS</li> </ol>				MATERIAL	-								
				TOLERANCES				FINISH	-								
				.X	$\pm$			SCALE	CAGE CODE ID NO.	SIZE	DRAWING NO.:	REV.					
B	ECN#01427	BLP	06/23/02	<p>THE INFORMATION CONTAINED HEREIN IS: (A) CONSIDERED PROPRIETARY TO FLORIDA RF LABS INC.; (B) PROTECTED BY COPYRIGHT OWNED BY FLORIDA RF LABS INC.; (C) CONSIDERED A "WORK FOR HIRE" UNDER COPYRIGHT LAW; (D) PROTECTED BY TRADE SECRET LAWS WHICH MAKE ILLEGAL THE MISAPPROPRIATION OF THIS INFORMATION; AND (E) IS TO BE USED SOLELY FOR THE PURPOSE WHICH IT IS SUPPLIED. THIS INFORMATION SHALL NOT BE DISCLOSED IN WHOLE OR IN PART, TO ANY PARTY, FOR ANY REASON WITHOUT THE EXPRESS WRITTEN CONSENT OF A QUALIFIED EXECUTIVE OF FLORIDA RF LABS INC.</p>				4/1	2Y194	A	81-3001TC-*	B					
A	ECN# N/A	-	-					.XX	$\pm$	ANGLES X' $\pm$	MFG:	-	CHKD.:	-	DRAWN: BLP	SHEET	OF
								.XXX	$\pm$						06/23/02		