

EDD

NOTES:  
UNLESS OTHERWISE SPECIFIED, TOLERANCES ARE  $\pm .010"$  [.254mm].

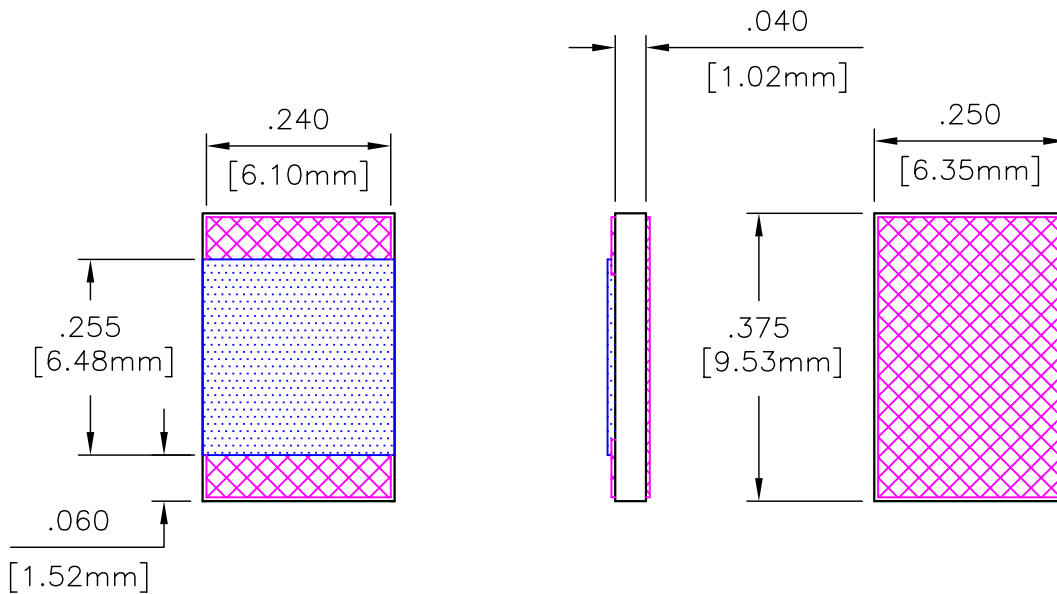
CAD#81-3006Aa

DRAWING NO.:

81-3006A-\*

REV.

A



MATERIAL:


SUBSTRATE: BERYLLIUM OXIDE  
RESISTIVE FILM: NICHROME

FINISH:

GROUND PLANE: TIN/LEAD OVER NICKEL

ELECTRICAL:

\*DC RESISTANCE: 7-250 OHMS  
FREQUENCY RANGE: DC-1.0 GHz  
AVERAGE POWER: 150 WATTS  
CAPACITANCE: 1.33 pF  
TEMPERATURE COEFFICIENT:  $\pm 200$  PPM/ $^{\circ}$ C MAX  
OPERATING TEMPERATURE:  $-55^{\circ}$  TO  $+150^{\circ}$  C

				EN# 04-F0164	APVD	DATE	REFERENCE	 8851 OLD KANSAS AVE. STUART, FL. 34997 772-286-9300			
				UNLESS OTHERWISE SPECIFIED 1. DO NOT SCALE DRAWING 2. DIMENSIONS ARE IN INCHES 3. DIMENSIONS ARE AFTER PLATING 4. CORNERS, EDGES AND FILLETS: R MAX 5. SURFACE ROUGHNESS 6. REMOVE ALL BURRS			CATALOG	TITLE <b>CHIP, RESISTOR, 150 WATT</b>			
							MATERIAL				-
				TOLERANCES .X $\pm$ .XX $\pm$ .XXX $\pm$ ANGLES X' $\pm$			FINISH	-			
				THE INFORMATION CONTAINED HEREIN IS: (A) CONSIDERED PROPRIETARY TO FLORIDA RF LABS INC.; (B) PROTECTED BY COPYRIGHT OWNED BY FLORIDA RF LABS INC.; (C) CONSIDERED A "WORK FOR HIRE" UNDER COPYRIGHT LAW; (D) PROTECTED BY TRADE SECRET LAWS WHICH MAKE ILLEGAL THE MISAPPROPRIATION OF THIS INFORMATION; AND (E) IS TO BE USED SOLELY FOR THE PURPOSE WHICH IT IS SUPPLIED. THIS INFORMATION SHALL NOT BE DISCLOSED IN WHOLE OR IN PART, TO ANY PARTY, FOR ANY REASON WITHOUT THE EXPRESS WRITTEN CONSENT OF A QUALIFIED EXECUTIVE OF FLORIDA RF LABS INC.			SCALE	CAGE CODE ID NO.	SIZE	DRAWING NO.:	REV.
REV.	DESCRIPTION	DRAWN	APVD.				MFG:	CHKD.:	2Y194	A	81-3006A-*
								DRAWN: AWM 05/04/04	SHEET	OF	