

EDD

NOTES:  
UNLESS OTHERWISE SPECIFIED, TOLERANCES ARE ± .010" [.254mm].

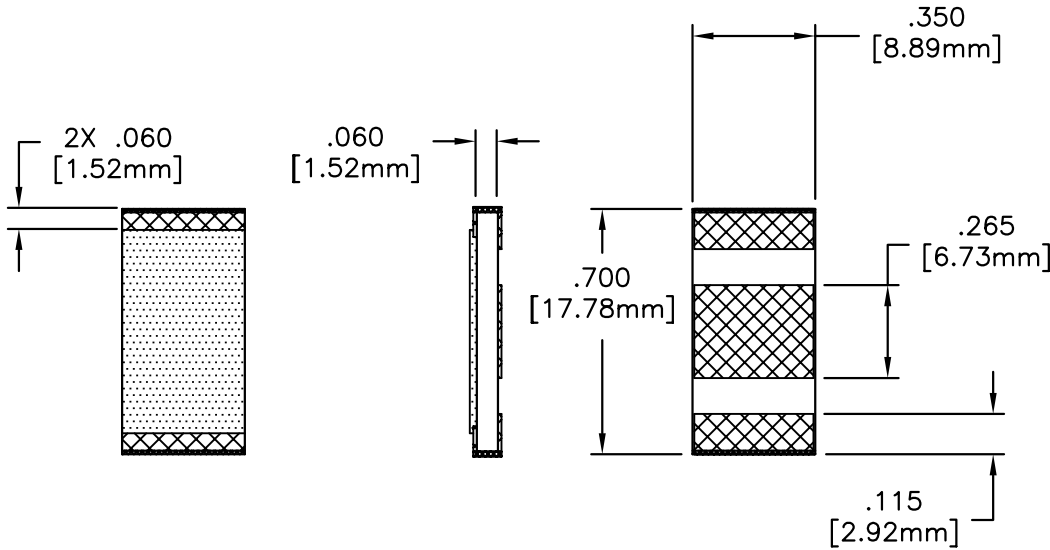
CAD#81-3036a

DRAWING NO.:

81-3036-\*

REV.

A



MATERIAL:


SUBSTRATE: BERYLLIUM OXIDE  
RESISTIVE FILM: NICHROME

FINISH:

GROUND PLANE: TIN/LEAD OVER NICKEL

ELECTRICAL:

\*DC RESISTANCE: 10-400 OHMS  
FREQUENCY RANGE: DC-1.0 GHz  
AVERAGE POWER: 50 WATTS  
CAPACITANCE: 1.33 pF  
TEMPERATURE COEFFICIENT: ± 200 PPM/°C MAX  
OPERATING TEMPERATURE: -55° TO +150° C

EN# 04-F0164		APVD	DATE	REFERENCE	 8851 OLD KANSAS AVE. STUART, FL. 34997 772-286-9300	
UNLESS OTHERWISE SPECIFIED 1. DO NOT SCALE DRAWING 2. DIMENSIONS ARE IN INCHES 3. DIMENSIONS ARE AFTER PLATING 4. CORNERS, EDGES AND FILLETS: R MAX 5. SURFACE ROUGHNESS: 6. REMOVE ALL BURRS				MATERIAL	TITLE	
TOLERANCES .X ± .XX ± .XXX ± ANGLES X° ±				FINISH	CHIP, RESISTOR, 50 WATT	
THE INFORMATION CONTAINED HEREIN IS: (A) CONSIDERED PROPRIETARY TO FLORIDA RF LABS INC.; (B) PROTECTED BY COPYRIGHT OWNED BY FLORIDA RF LABS INC.; (C) CONSIDERED A "WORK FOR HIRE" UNDER COPYRIGHT LAW; (D) PROTECTED BY TRADE SECRET LAWS WHICH MAKE ILLEGAL THE MISAPPROPRIATION OF THIS INFORMATION; AND (E) IS TO BE USED SOLELY FOR THE PURPOSE WHICH IT IS SUPPLIED. THIS INFORMATION SHALL NOT BE DISCLOSED IN WHOLE OR IN PART, TO ANY PARTY, FOR ANY REASON WITHOUT THE EXPRESS WRITTEN CONSENT OF A QUALIFIED EXECUTIVE OF FLORIDA RF LABS INC.				SCALE	CAGE CODE ID NO.	SIZE
				4/1	2Y194	A
				MFG:	CHKD.: DR	DRAWING NO.:
					07/09/04	81-3036-*
REV.	DESCRIPTION	DRAWN	APVD.	DRAWN: AWM		REV. A
				05/04/04		SHEET OF