

EDD

NOTES:
UNLESS OTHERWISE SPECIFIED, TOLERANCES ARE ± .010" [.254mm].

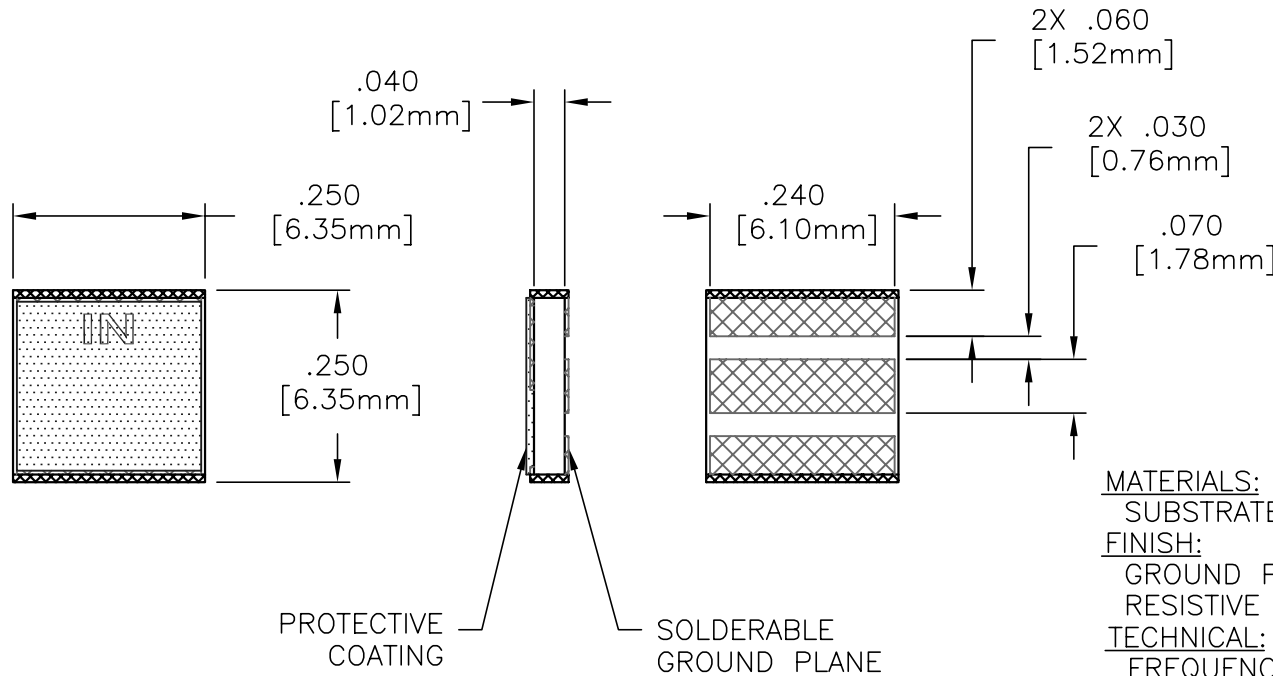
CAD#81-3039

DRAWING NO.:

81-3039-*

REV.

N/C



MATERIALS:

SUBSTRATE: BERYLLIUM OXIDE

FINISH:

GROUND PLANE: TIN/LEAD OVER NICKEL

RESISTIVE FILM: NICHROME

TECHNICAL:


FREQUENCY RANGE (GHz): N/A

TEMPERATURE COEFFICIENT: ± 200 PPM/°C MAX

OPERATING TEMPERATURE (°C): -55° TO +150°

AVERAGE POWER (WATTS): 20

*DC RESISTANCE: 5-75 OHMS ± 5%

				ECN# 00903	APVD NR	DATE 11/01/01	REFERENCE	 8851 OLD KANSAS AVE. STUART, FL. 34997 772-286-9300			
UNLESS OTHERWISE SPECIFIED 1. DO NOT SCALE DRAWING 2. DIMENSIONS ARE IN INCHES 3. DIMENSIONS ARE AFTER PLATING 4. CORNERS, EDGES AND FILLETS: R MAX 5. SURFACE ROUGHNESS: 6. REMOVE ALL BURRS							MATERIAL		TITLE		
TOLERANCES .X ± .XX ± .XXX ± ANGLES X° ±							FINISH	CHIP, RESISTOR, TERMINATION, 20 WATT			
THE INFORMATION CONTAINED HEREIN IS: (A) CONSIDERED PROPRIETARY TO FLORIDA RF LABS INC.; (B) PROTECTED BY COPYRIGHT OWNED BY FLORIDA RF LABS INC.; (C) CONSIDERED A "WORK FOR HIRE" UNDER COPYRIGHT LAW; (D) PROTECTED BY TRADE SECRET LAWS WHICH MAKE ILLEGAL THE MISAPPROPRIATION OF THIS INFORMATION; AND (E) IS TO BE USED SOLELY FOR THE PURPOSE WHICH IT IS SUPPLIED. THIS INFORMATION SHALL NOT BE DISCLOSED IN WHOLE OR IN PART, TO ANY PARTY, FOR ANY REASON WITHOUT THE EXPRESS WRITTEN CONSENT OF A QUALIFIED EXECUTIVE OF FLORIDA RF LABS INC.							SCALE 4/1	CAGE CODE ID NO. 2Y194	SIZE A	DRAWING NO.: 81-3039-*	REV. N/C
REV.	DESCRIPTION	DRAWN	APVD.	MFG: MJK 11/01/01	CHKD.: NAK 10/30/01	DRAWN: BLP 10/05/01	SHEET	OF			