

EDD

NOTES:  
UNLESS OTHERWISE SPECIFIED, TOLERANCES ARE  $\pm .010$ " [0.254mm].

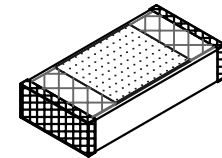
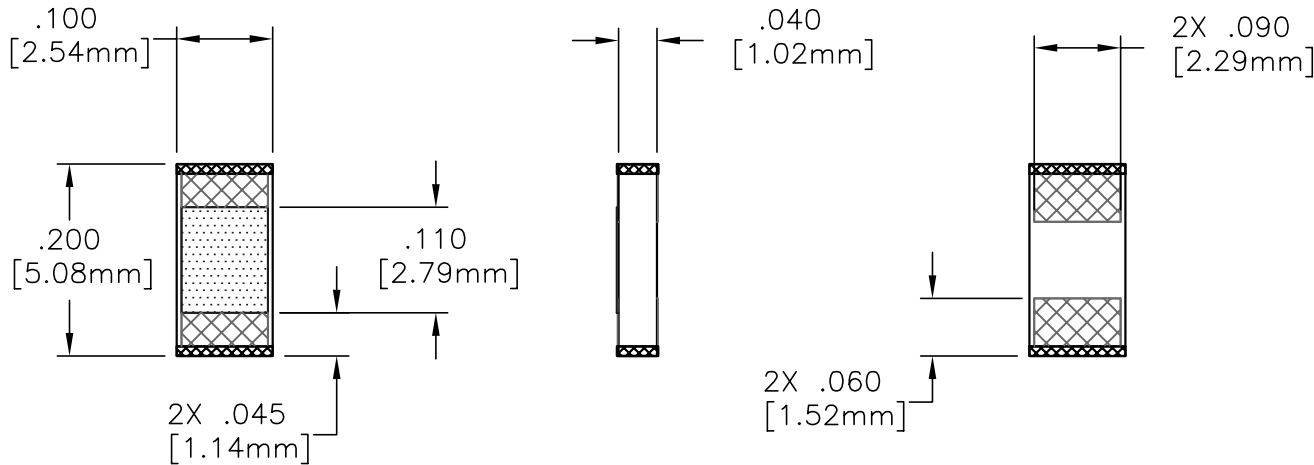
CAD#81-7001B

DRAWING NO.:

81-7001B-\*

REV.

N/C




MATERIALS:

SUBSTRATE: ALUMINUM NITRIDE

RESISTIVE FILM: NICHROME

FINISH:

SUBSTRATE GROUND PLANE: TIN/LEAD  
OVER NICKEL

				ECN# 00767	APVD	DATE	REFERENCE	 8851 OLD KANSAS AVE. STUART, FL. 34997 561-286-9300			
				UNLESS OTHERWISE SPECIFIED			CATALOG	TITLE <b>CHIP, RESISTOR, SURFACE MOUNT, 5 WATT</b>			
				1. DO NOT SCALE DRAWING 2. DIMENSIONS ARE IN INCHES 3. DIMENSIONS ARE AFTER PLATING 4. CORNERS, EDGES AND FILLETS: R MAX 5. SURFACE ROUGHNESS: 6. REMOVE ALL BURRS			MATERIAL			-	
				TOLERANCES			FINISH			-	
				.X $\pm$	ANGLES X° $\pm$		SCALE	CAGE CODE ID NO.	SIZE	DRAWING NO.:	REV.
				.XX $\pm$			5/1	2Y194	A	81-7001B-*	N/C
				.XXX $\pm$			MFG:	CHKD.:	DRAWN: BLP	07/12/01	SHEET 1 OF 2
				THE INFORMATION CONTAINED HEREIN IS: (A) CONSIDERED PROPRIETARY TO FLORIDA RF LABS INC.; (B) PROTECTED BY COPYRIGHT OWNED BY FLORIDA RF LABS INC.; (C) CONSIDERED A "WORK FOR HIRE" UNDER COPYRIGHT LAW; (D) PROTECTED BY TRADE SECRET LAWS WHICH MAKE ILLEGAL THE MISAPPROPRIATION OF THIS INFORMATION; AND (E) IS TO BE USED SOLELY FOR THE PURPOSE WHICH IT IS SUPPLIED. THIS INFORMATION SHALL NOT BE DISCLOSED IN WHOLE OR IN PART, TO ANY PARTY, FOR ANY REASON WITHOUT THE EXPRESS WRITTEN CONSENT OF A QUALIFIED EXECUTIVE OF FLORIDA RF LABS INC.							

EDD

		CAD#81-7001B		DRAWING NO. <b>81-7001B-*</b>	REV N/C	
REQUIREMENTS	RATING	REQUIREMENTS	RATING			
FREQUENCY RANGE (GHZ)	DC-4.0	VIBRATION	MIL-STD-202 METHOD 204 COND. D (20 G's)			
TEMPERATURE COEFFICIENT	LESS THAN 200 PPM	SHOCK	MIL-STD-202 METHOD 213 COND. I (100 G's)			
OPERATING TEMPERATURE (°C)	-55° TO +150°	THERMAL SHOCK	MIL-STD-202 METHOD 107 COND. B (-65 TO +125 °C)			
AVERAGE POWER (WATTS)	5	TERMINAL STRENGTH	MIL-STD-202 METHOD 211 COND. A			
DC RESISTANCE	25-200 OHMS	MOISTURE RESISTANCE	MIL-STD-202 METHOD 106 LESS STEP 7B			
MAX CAPACITANCE	-	SOLDERABILITY	MIL-STD-202 METHOD 208			
		RESISTANCE TO SOLDER HEAT	MIL-STD-202 METHOD 210			
<p>AVERAGE POWER DERATING</p>						
<p>TITLE CHIP, RESISTOR, SURFACE MOUNT, 5 WATT</p>			8851 OLD KANSAS AVE. STUART, FL. 34997 561-286-9300	DRAWN - SHEET 2 OF 2	DRAWING NO. <b>81-7001B-*</b>	REV N/C