

EDD

NOTES:
UNLESS OTHERWISE SPECIFIED, TOLERANCES ARE $\pm .010$ " [.254mm].

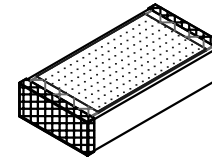
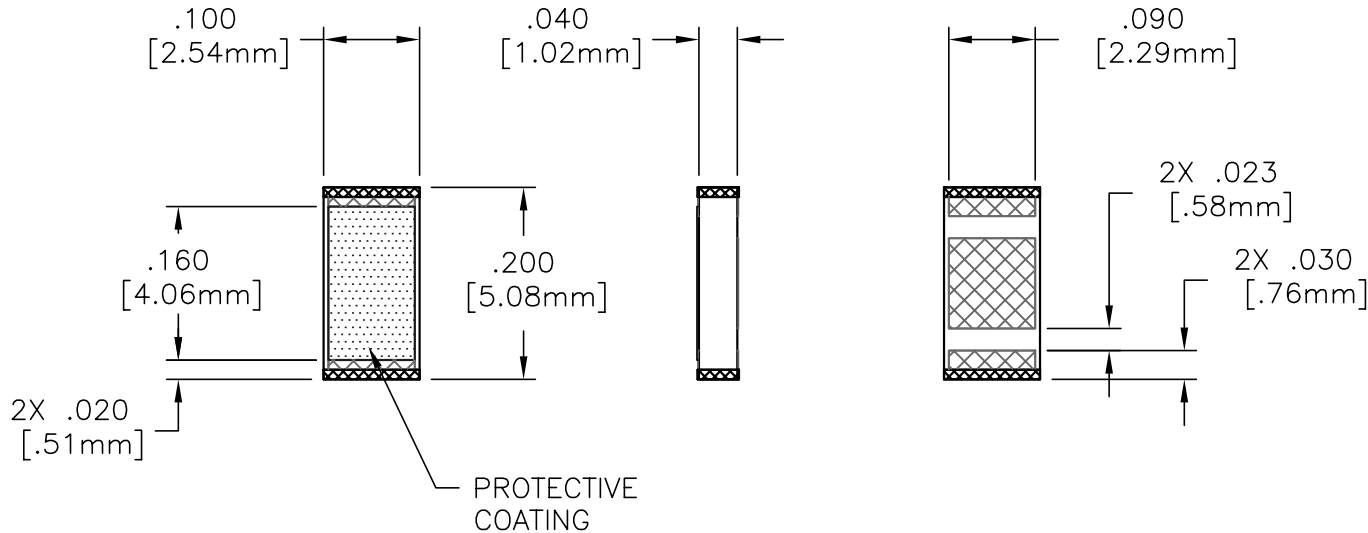
CAD#81-7031

DRAWING NO.:

81-7031-*


REV.

N/C



MATERIALS:

SUBSTRATE: ALUMINUM NITRIDE
RESISTIVE FILM: NICHROME

				ECN# 00961	APVD	DATE	REFERENCE	 8851 OLD KANSAS AVE. STUART, FL. 34997 561-286-9300			
UNLESS OTHERWISE SPECIFIED 1. DO NOT SCALE DRAWING 2. DIMENSIONS ARE IN INCHES 3. DIMENSIONS ARE AFTER PLATING 4. CORNERS, EDGES AND FILLETS: R MAX 5. SURFACE ROUGHNESS: 6. REMOVE ALL BURRS							MATERIAL		TITLE CHIP, RESISTOR, SURFACE MOUNT, 10 WATT		
TOLERANCES .X \pm .XX \pm .XXX \pm ANGLES X° \pm							FINISH				
THE INFORMATION CONTAINED HEREIN IS: (A) CONSIDERED PROPRIETARY TO FLORIDA RF LABS INC.; (B) PROTECTED BY COPYRIGHT OWNED BY FLORIDA RF LABS INC.; (C) CONSIDERED A "WORK FOR HIRE" UNDER COPYRIGHT LAW; (D) PROTECTED BY TRADE SECRET LAWS WHICH MAKE ILLEGAL THE MISAPPROPRIATION OF THIS INFORMATION; AND (E) IS TO BE USED SOLELY FOR THE PURPOSE WHICH IT IS SUPPLIED. THIS INFORMATION SHALL NOT BE DISCLOSED IN WHOLE OR IN PART, TO ANY PARTY, FOR ANY REASON WITHOUT THE EXPRESS WRITTEN CONSENT OF A QUALIFIED EXECUTIVE OF FLORIDA RF LABS INC.							SCALE	CAGE CODE ID NO.		SIZE	DRAWING NO.:
							5/1	2Y194	A	81-7031-*	N/C
REV.	DESCRIPTION	DRAWN	APVD.				MFG:	CHKD.:	DRAWN: BLP 09/06/01		SHEET 1 OF 2

EDD

		CAD#81-7031		DRAWING NO. 81-7031-*		REV N/C
REQUIREMENTS	RATING	REQUIREMENTS	RATING			
FREQUENCY RANGE (GHZ)	DC-4.0	VIBRATION	MIL-STD-202 METHOD 204 COND. D (20 G's)			
TEMPERATURE COEFFICIENT	LESS THAN 200 PPM	SHOCK	MIL-STD-202 METHOD 213 COND. I (100 G's)			
OPERATING TEMPERATURE (°C)	-55° TO +150°	THERMAL SHOCK	MIL-STD-202 METHOD 107 COND. B (-65 TO +125 °C)			
AVERAGE POWER (WATTS)	10	TERMINAL STRENGTH	MIL-STD-202 METHOD 211 COND. A			
* DC RESISTANCE	15-300 OHMS	MOISTURE RESISTANCE	MIL-STD-202 METHOD 106 LESS STEP 7B			
MAX CAPACITANCE	-	SOLDERABILITY	MIL-STD-202 METHOD 208			
		RESISTANCE TO SOLDER HEAT	MIL-STD-202 METHOD 210			
		<p>AVERAGE POWER DERATING</p>				
TITLE CHIP, RESISTOR, SURFACE MOUNT, 10 WATT			8851 OLD KANSAS AVE. STUART, FL. 34997 561-286-9300	DRAWN	-	DRAWING NO. 81-7031-*
				SHEET 2 OF 2		REV N/C