

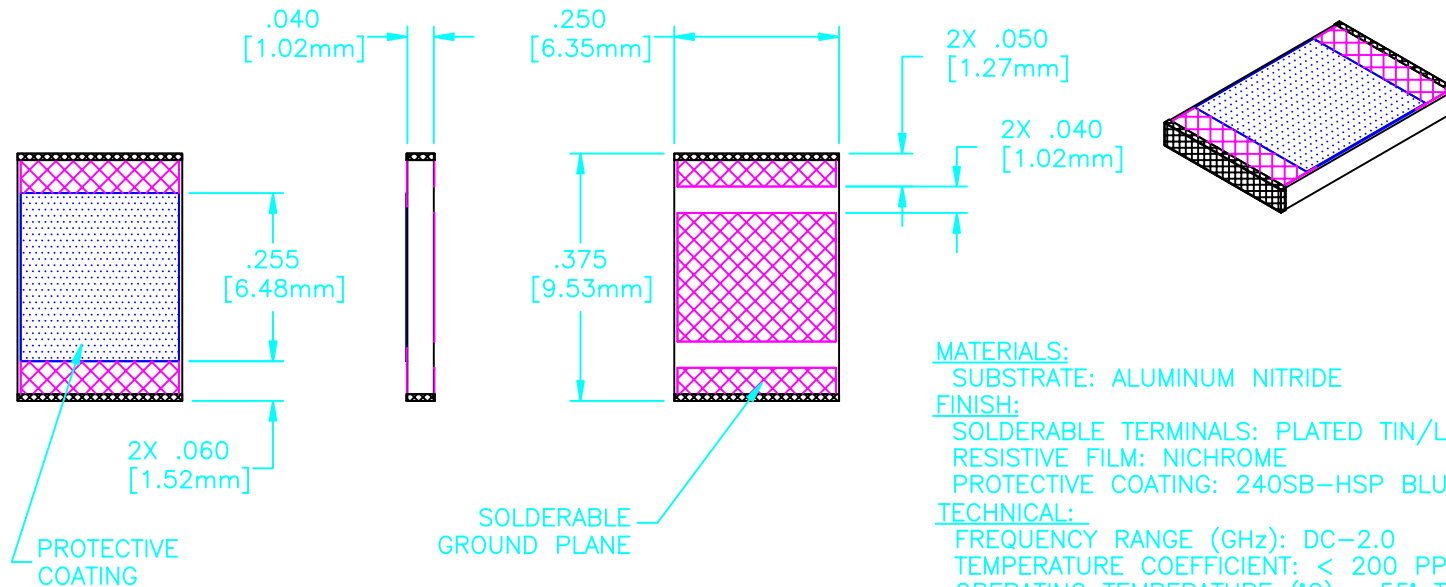
**EDD**

NOTES:  
UNLESS OTHERWISE SPECIFIED, TOLERANCES ARE ± .010" [.254mm].


CAD#81-7042

DRAWING NO.:  
**81-7042-\***

REV.  
**N/C**



MATERIALS:  
SUBSTRATE: ALUMINUM NITRIDE  
FINISH:  
SOLDERABLE TERMINALS: PLATED TIN/LEAD  
RESISTIVE FILM: NICHROME  
PROTECTIVE COATING: 240SB-HSP BLUE  
TECHNICAL:  
FREQUENCY RANGE (GHz): DC-2.0  
TEMPERATURE COEFFICIENT: < 200 PPM  
OPERATING TEMPERATURE (°C): -55° TO +150°  
AVERAGE POWER (WATTS): 20  
\*DC RESISTANCE: 7-250 OHMS

				ECN# 01205	APVD	DATE	REFERENCE	 8851 OLD KANSAS AVE. STUART, FL. 34997 561-286-9300			
				UNLESS OTHERWISE SPECIFIED 1. DO NOT SCALE DRAWING 2. DIMENSIONS ARE IN INCHES 3. DIMENSIONS ARE AFTER PLATING 4. CORNERS, EDGES AND FILLETS: R MAX 5. SURFACE ROUGHNESS: 6. REMOVE ALL BURRS			MATERIAL		TITLE		
				TOLERANCES .X ± .XX ± .XXX ± ANGLES X° ±			FINISH	<b>CHIP, RESISTOR, 20 WATT</b>			
				THE INFORMATION CONTAINED HEREIN IS: (A) CONSIDERED PROPRIETARY TO FLORIDA RF LABS INC.; (B) PROTECTED BY COPYRIGHT OWNED BY FLORIDA RF LABS INC.; (C) CONSIDERED A "WORK FOR HIRE" UNDER COPYRIGHT LAW; (D) PROTECTED BY TRADE SECRET LAWS WHICH MAKE ILLEGAL THE MISAPPROPRIATION OF THIS INFORMATION; AND (E) IS TO BE USED SOLELY FOR THE PURPOSE WHICH IT IS SUPPLIED. THIS INFORMATION SHALL NOT BE DISCLOSED IN WHOLE OR IN PART, TO ANY PARTY, FOR ANY REASON WITHOUT THE EXPRESS WRITTEN CONSENT OF A QUALIFIED EXECUTIVE OF FLORIDA RF LABS INC.			SCALE	CAGE CODE ID NO.	SIZE	DRAWING NO.:	REV.
							4/1	2Y194	A	81-7042-*	N/C
REV.	DESCRIPTION	DRAWN	APVD.				MFG:	CHKD.:	DRAWN: BLP 01/14/02	SHEET	OF