

# EDD

CAD#81-7043TC

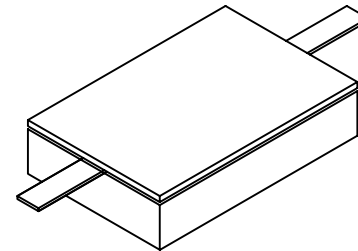
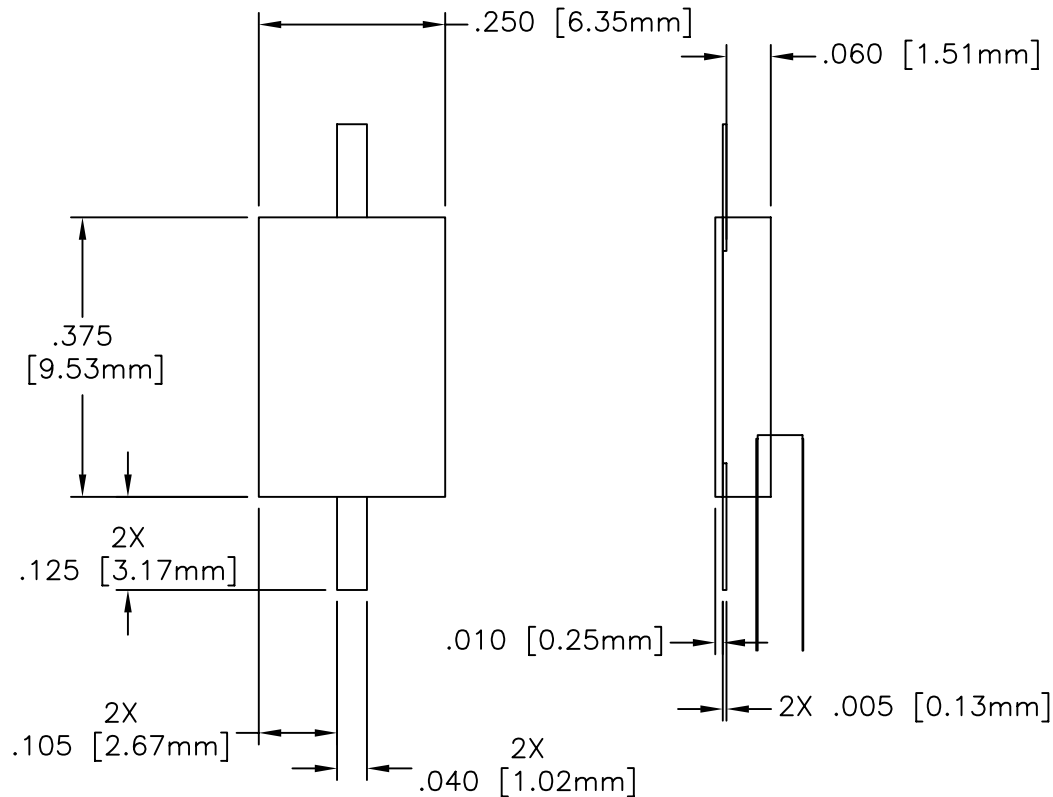
DRAWING NO.:

**81-7043TC-\***

REV.

**D**

NOTES:  
UNLESS OTHERWISE SPECIFIED, TOLERANCES ARE  $\pm .010$ " [.254mm].



**MATERIALS:**


SUBSTRATE: ALUMINUM NITRIDE  
COVER: ALUMINA  
TAB: BERYLLIUM COPPER  
RESISTIVE FILM: THIN FILM

**FINISH:**

GROUND PLANE: TIN/LEAD PLATED  
TAB: TIN/LEAD PER MIL-T-10727

**TECHNICAL:**

\*DC RESISTANCE: 14-250 OHMS  
FREQUENCY RANGE: DC-2.0 GHz  
AVERAGE POWER: 100 WATTS  
CAPACITANCE: 1.5 pF (TYP)  
TEMPERATURE COEFFICIENT:  $\pm 200$  PPM/ $^{\circ}$ C MAX  
OPERATING TEMPERATURE:  $-55^{\circ}$ C TO  $+150^{\circ}$ C

				ECN# 01216	APVD OA	DATE 01/14/02	REFERENCE MOTOROLA P/N: 0686443 W01		 8851 OLD KANSAS AVE. STUART, FL. 34997 772-286-9300	
				UNLESS OTHERWISE SPECIFIED			MATERIAL -		TITLE <b>CHIP, RESISTOR 100 WATT</b>	
				1. DO NOT SCALE DRAWING 2. DIMENSIONS ARE IN INCHES 3. DIMENSIONS ARE AFTER PLATING 4. CORNERS, EDGES AND FILLETS: R MAX 5. SURFACE ROUGHNESS: 6. REMOVE ALL BURRS			FINISH -			
				TOLERANCES			SCALE 4/1		CAGE CODE ID NO. 2Y194	
D	EN# 06-F0740	MWS 08/29/06		.X $\pm$			SIZE A		DRAWING NO.:	
C	EN# 05-F0206	AWM 03/28/05		.XX $\pm$ ANGLES X° $\pm$					REV.	
B	ECN#02108	ALM 7/21/03	DR 7/21/03	.XXX $\pm$					81-7043TC-*	
A	ECN#01483	BLP 05/31/02	DR 07/24/02	THE INFORMATION CONTAINED HEREIN IS: (A) CONSIDERED PROPRIETARY TO FLORIDA RF LABS INC.; (B) PROTECTED BY COPYRIGHT OWNED BY FLORIDA RF LABS INC.; (C) CONSIDERED A "WORK FOR HIRE" UNDER COPYRIGHT LAW; (D) PROTECTED BY TRADE SECRET LAWS WHICH MAKE ILLEGAL THE MISAPPROPRIATION OF THIS INFORMATION; AND (E) IS TO BE USED SOLELY FOR THE PURPOSE WHICH IT IS SUPPLIED. THIS INFORMATION SHALL NOT BE DISCLOSED IN WHOLE OR IN PART, TO ANY PARTY, FOR ANY REASON WITHOUT THE EXPRESS WRITTEN CONSENT OF A QUALIFIED EXECUTIVE OF FLORIDA RF LABS INC.			MFG: BKS 01/18/02		CHKD.: DR 01/11/02	
REV.	DESCRIPTION	DRAWN	APVD.				DRAWN: PSC 01/11/02		SHEET OF	