

EDD

NOTES:
UNLESS OTHERWISE SPECIFIED, TOLERANCES ARE $\pm .010$ " [0.254mm].

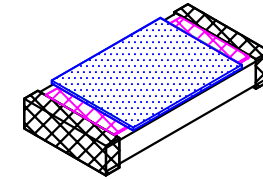
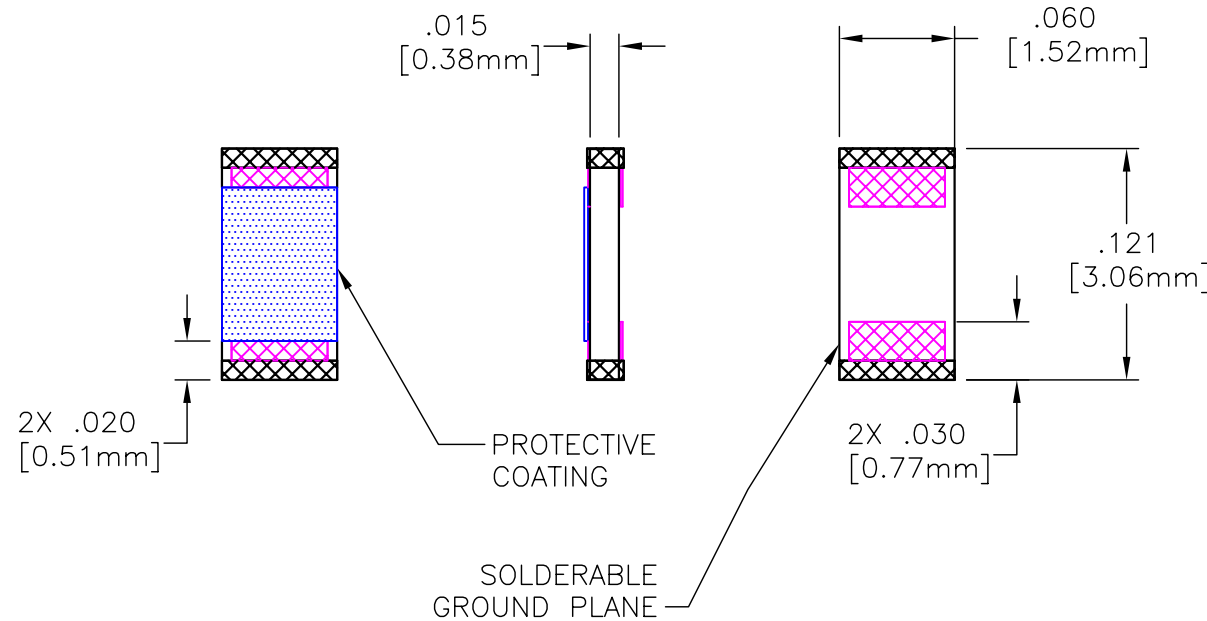
CAD#81-8004B-*

DRAWING NO.:

81-8004B-*

REV.

A



MATERIALS:

SUBSTRATE: ALUMINA

FINISH:

SOLDERABLE TERMINALS: PLATED TIN/LEAD

RESISTIVE FILM: NICHROME

PROTECTIVE COATING: POLYMER

TECHNICAL: (RESISTOR)

FREQUENCY RANGE (GHz): DC-4.0


TEMPERATURE COEFFICIENT: ± 200 PPM/ $^{\circ}$ C MAX

OPERATING TEMPERATURE ($^{\circ}$ C): -55° TO $+150^{\circ}$

AVERAGE POWER (WATTS): 2

*DC RESISTANCE : 10 - 250 OHMS.

*RESISTANCE TOL.: $\pm 1\%$, 2% , 5% OR 10%

				ECN# 01496	APVD	DATE	REFERENCE	 8851 OLD KANSAS AVE. STUART, FL. 34997 772-286-9300			
				UNLESS OTHERWISE SPECIFIED 1. DO NOT SCALE DRAWING 2. DIMENSIONS ARE IN INCHES 3. DIMENSIONS ARE AFTER PLATING 4. CORNERS, EDGES AND FILLETS: R MAX 5. SURFACE ROUGHNESS: 6. REMOVE ALL BURRS			CATALOG		TITLE		
				TOLERANCES .X \pm .XX \pm .XXX \pm ANGLES X' \pm			MATERIAL	CHIP, RESISTOR, 2 WATT			
				THE INFORMATION CONTAINED HEREIN IS: (A) CONSIDERED PROPRIETARY TO FLORIDA RF LABS INC.; (B) PROTECTED BY COPYRIGHT OWNED BY FLORIDA RF LABS INC.; (C) CONSIDERED A "WORK FOR HIRE" UNDER COPYRIGHT LAW; (D) PROTECTED BY TRADE SECRET LAWS WHICH MAKE ILLEGAL THE MISAPPROPRIATION OF THIS INFORMATION; AND (E) IS TO BE USED SOLELY FOR THE PURPOSE WHICH IT IS SUPPLIED. THIS INFORMATION SHALL NOT BE DISCLOSED IN WHOLE OR IN PART, TO ANY PARTY, FOR ANY REASON WITHOUT THE EXPRESS WRITTEN CONSENT OF A QUALIFIED EXECUTIVE OF FLORIDA RF LABS INC.			FINISH				
							SCALE	CAGE CODE ID NO.	SIZE	DRAWING NO.:	REV.
							10/1	2Y194	A	81-8004B-*	A
REV.	DESCRIPTION	DRAWN	APVD.				MFG: =	CHKD.: =	DRAWN: ALM	10/14/02	SHEET OF