

EDD

CAD#81A3001BF

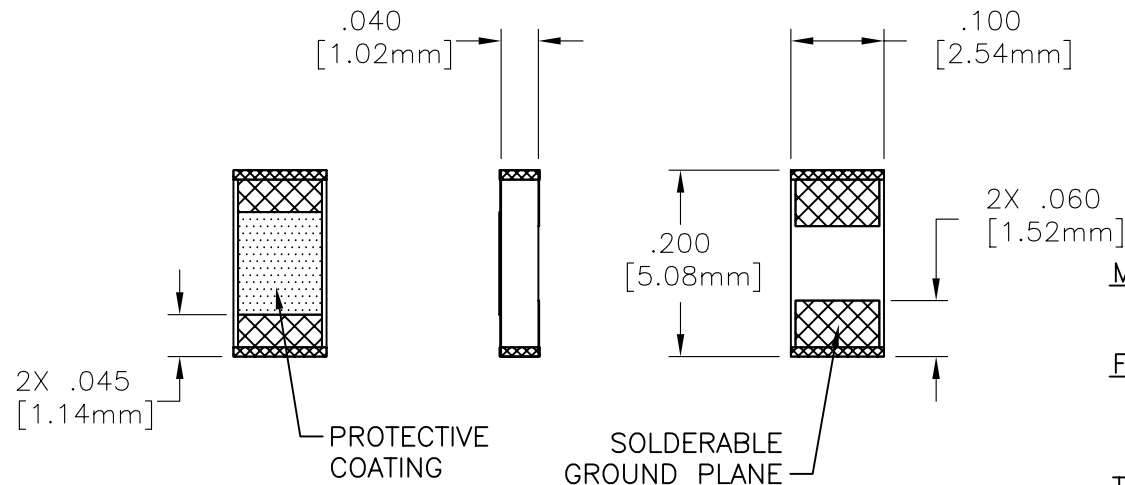
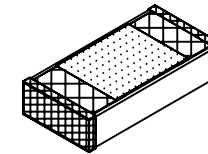
DRAWING NO.:

81A3001B*F

REV.

-

NOTES:
UNLESS OTHERWISE SPECIFIED, TOLERANCES ARE $\pm .010"$ [.254mm].



MATERIALS:


SUBSTRATE: BERYLLIUM OXIDE
RESISTIVE FILM: THIN FILM

FINISH:

RoHS COMPLIANT
SOLDERABLE TERMINALS: PLATED SILVER
PROTECTIVE COATING: POLYMER

TECHNICAL:

FREQUENCY RANGE (GHz): DC-4.0
AVERAGE POWER (WATTS): 5
*DC RESISTANCE: 2.5-200 OHMS
CAPACITANCE (pF): 0.8
TEMPERATURE COEFFICIENT: ± 200 PPM/ $^{\circ}$ C MAX
OPERATING TEMPERATURE ($^{\circ}$ C): -55° TO $+150^{\circ}$

				EN# 06-F0673	APVD -	DATE -	REFERENCE	 8851 OLD KANSAS AVE. STUART, FL. 34997 772-286-9300				
				UNLESS OTHERWISE SPECIFIED 1. DO NOT SCALE DRAWING 2. DIMENSIONS ARE IN INCHES 3. DIMENSIONS ARE AFTER PLATING 4. CORNERS, EDGES AND FILLETS: R MAX 5. SURFACE ROUGHNESS: 6. REMOVE ALL BURRS TOLERANCES .X \pm .XX \pm ANGLES X' \pm .XXX \pm			MATERIAL	CHIP, RESISTOR, 5 WATT				
			FINISH				-					
			SCALE				CAGE CODE ID NO.				SIZE	DRAWING NO.:
				5/1	2Y194	A	81A3001B*F	-				
REV.	DESCRIPTION	DRAWN	APVD.	THE INFORMATION CONTAINED HEREIN IS: (A) CONSIDERED PROPRIETARY TO FLORIDA RF LABS INC.; (B) PROTECTED BY COPYRIGHT OWNED BY FLORIDA RF LABS INC.; (C) CONSIDERED A "WORK FOR HIRE" UNDER COPYRIGHT LAW; (D) PROTECTED BY TRADE SECRET LAWS WHICH MAKE ILLEGAL THE MISAPPROPRIATION OF THIS INFORMATION; AND (E) IS TO BE USED SOLELY FOR THE PURPOSE WHICH IT IS SUPPLIED. THIS INFORMATION SHALL NOT BE DISCLOSED IN WHOLE OR IN PART, TO ANY PARTY, FOR ANY REASON WITHOUT THE EXPRESS WRITTEN CONSENT OF A QUALIFIED EXECUTIVE OF FLORIDA RF LABS INC.			MFG: -	CHKD.: DAR 8/2/06	DRAWN: JAP 8/2/06	SHEET OF		