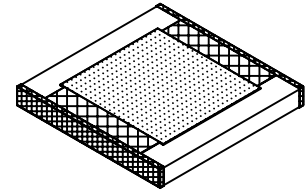
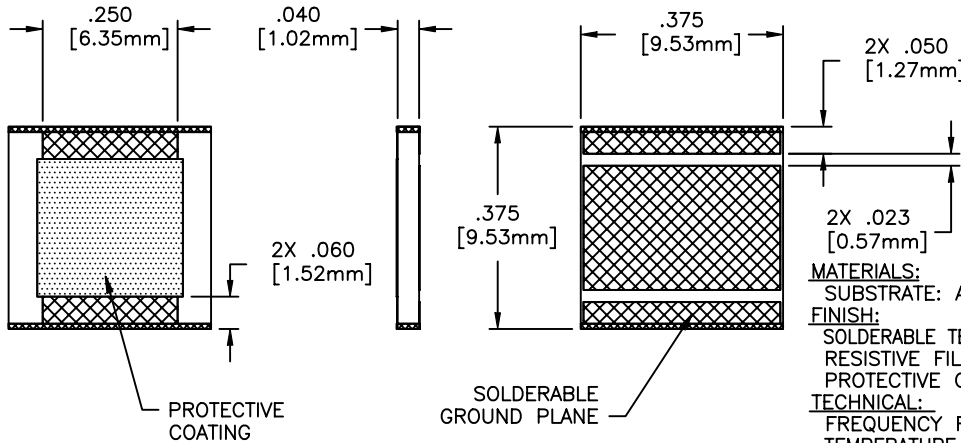


EDD

NOTES:
UNLESS OTHERWISE SPECIFIED, TOLERANCES ARE ± .010" [.254mm].

CAD#81A7028-*

DRAWING NO.:	REV.
81A7028-*	N/C



MATERIALS:

SUBSTRATE: ALUMINUM NITRIDE

FINISH:

SOLDERABLE TERMINALS: PLATED SILVER/NICKEL

RESISTIVE FILM: NICHROME

PROTECTIVE COATING: POLYMER

TECHNICAL:


FREQUENCY RANGE (GHz): DC-1.0

TEMPERATURE COEFFICIENT: ± 200 PPM/°C MAX

OPERATING TEMPERATURE (°C): -55° TO +150°

AVERAGE POWER (WATTS): 50

*DC RESISTANCE: 5-200 OHMS

				ECN# 02189	APVD RC	DATE 08/08/03	REFERENCE	 8851 OLD KANSAS AVE. STUART, FL. 34997 772-286-9300			
				UNLESS OTHERWISE SPECIFIED 1. DO NOT SCALE DRAWING 2. DIMENSIONS ARE IN INCHES 3. DIMENSIONS ARE AFTER PLATING 4. CORNERS, EDGES AND FILLETS: R MAX 5. SURFACE ROUGHNESS: 6. REMOVE ALL BURRS			MATERIAL	TITLE			
				TOLERANCES .X ± .XX ± ANGLES X° ± .XXX ±			FINISH	CHIP, RESISTOR, 50 WATT			
				THE INFORMATION CONTAINED HEREIN IS: (A) CONSIDERED PROPRIETARY TO FLORIDA RF LABS INC.; (B) PROTECTED BY COPYRIGHT OWNED BY FLORIDA RF LABS INC.; (C) CONSIDERED A "WORK FOR HIRE" UNDER COPYRIGHT LAW; (D) PROTECTED BY TRADE SECRET LAWS WHICH MAKE ILLEGAL THE MISAPPROPRIATION OF THIS INFORMATION; AND (E) IS TO BE USED SOLELY FOR THE PURPOSE WHICH IT IS SUPPLIED. THIS INFORMATION SHALL NOT BE DISCLOSED IN WHOLE OR IN PART, TO ANY PARTY, FOR ANY REASON WITHOUT THE EXPRESS WRITTEN CONSENT OF A QUALIFIED EXECUTIVE OF FLORIDA RF LABS INC.			SCALE 4/1	CAGE CODE ID NO. 2Y194	SIZE A	DRAWING NO.:	REV.
							MFG:	CHKD.: DR 08/08/03	DRAWN: ALM 7/30/03	SHEET OF	
							DRAWING NO.:		REV.		
							81A7028-*		N/C		