

1. UNLESS OTHERWISE SPECIFIED TOLERANCES ARE ± 0.010

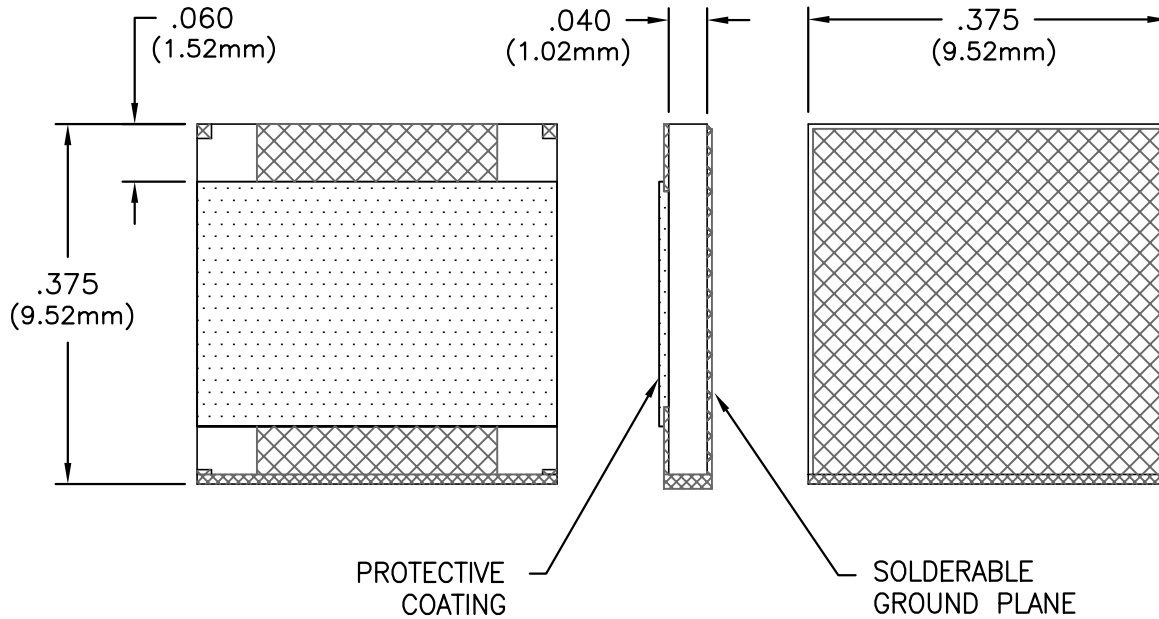
CAD#823008_2

DRAWING NO.

82-3008

REV.

N/C



MATERIALS:


SUBSTRATE: BERYLLIUM OXIDE CERAMIC

FINISH:

SOLDERABLE TERMINALS: PLATED TIN/LEAD
 RESISTIVE ELEMENTS: PROPRIETARY NICHROME THIN FILM
 PROTECTIVE COATING: 240SB-HSP (BLUE)

TECHNICAL:

RESISTANCE: $50\Omega \pm 5\%$
 AVERAGE POWER: 250 WATTS
 FREQUENCY: DC TO 1.0 GHz
 VSWR (MAX): 1.25:1 DC TO .5 GHz
 1.35:1 .5 TO 1.0 GHz

				<p><u>UNLESS OTHERWISE SPECIFIED</u></p> <p>1. DIMENSIONS ARE AFTER PLATING</p> <p>2. DIAMETERS ON COMMON ϕ TO BE CONCENTRIC WITHIN _____ T.I.R.</p> <p>3. SURFACE ROUGHNESS _____ ✓</p> <p>4. CORNERS AND EDGES _____ R. MAX.</p> <p>5. REMOVE BURRS AND BREAK SHARP EDGES</p>	REFERENCE	CATALOG		 <p>P.O. BOX 899 STUART, FL. 34995</p>	
					MATERIAL	_____			TITLE
				<p><u>TOLERANCES</u></p> <p>DECIMAL FRACTION ANGLES</p> <p>.X \pm _____ \pm _____</p> <p>.XX \pm _____ \pm _____</p> <p>.XXX \pm _____ \pm _____</p> <p>ALL DIMENSIONS ARE IN INCHES</p>	FINISH	_____			
					SCALE	CAGE CODE ID NO.	SIZE	DRAWING NO.	REV.
N/C	RLSE#02263	10/97		5X	2Y194	A	82-3008	N/C	
REV.	DESCRIPTION	DATE	APPR.	APPR.	CHK	DRAWN	GEC 10/23/97	SHEET	OF