

1. UNLESS OTHERWISE SPECIFIED TOLERANCES ARE ± 0.10

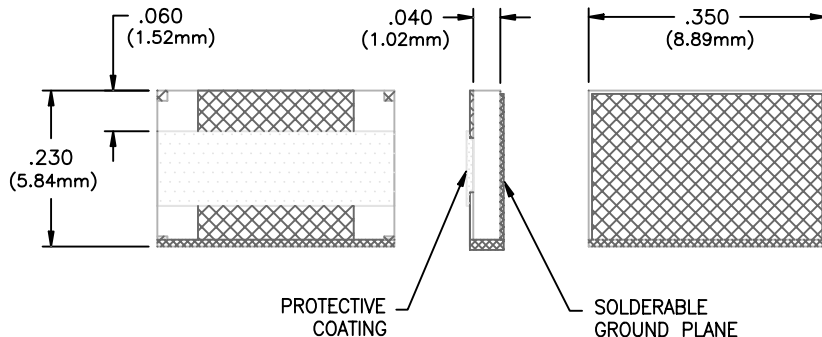
CAD#823019_2

DRAWING NO.

82-3019

REV.

N/C



MATERIALS:

SUBSTRATE: BERYLLIUM OXIDE CERAMIC

FINISH:

SOLDERABLE TERMINALS: PLATED TIN/LEAD
 RESISTIVE ELEMENTS: PROPRIETARY NICHROME THIN FILM
 PROTECTIVE COATING: 240SB-HSP (BLUE)

TECHNICAL:

RESISTANCE: $50 \Omega \pm 5\%$
 AVERAGE POWER: 30 WATTS
 FREQUENCY: DC TO 1.0 GHz
 VSWR (MAX): 1.50:1

UNLESS OTHERWISE SPECIFIED

1. DIMENSIONS ARE AFTER PLATING
2. DIAMETERS ON COMMON ϕ TO BE CONCENTRIC WITHIN $\frac{1}{16}$ T.I.R.
3. SURFACE ROUGHNESS
4. CORNERS AND EDGES R. MAX.
5. REMOVE BURRS AND BREAK SHARP EDGES

TOLERANCES		
DECIMAL	FRACTION	ANGLES
.X \pm		
.XX \pm	\pm	\pm
.XXX \pm		

ALL DIMENSIONS ARE IN INCHES

REFERENCE

CATALOG



P.O. BOX 899
 STUART, FL 34995

MATERIAL

FINISH

TITLE

CHIP, TERMINATION

SCALE

5X

CAGE CODE ID NO.

2Y194

SIZE

A

DRAWING NO.

82-3019

REV.

N/C

N/C	RLSE#02263	10/97	
REV.	DESCRIPTION	DATE	APPR.

APPR.

CHK

DRAWN

GEC

10/24/97

SHEET

OF