

EDD

CAD#82-3033TC_A

DRAWING NO.:

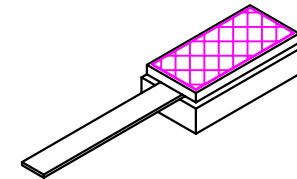
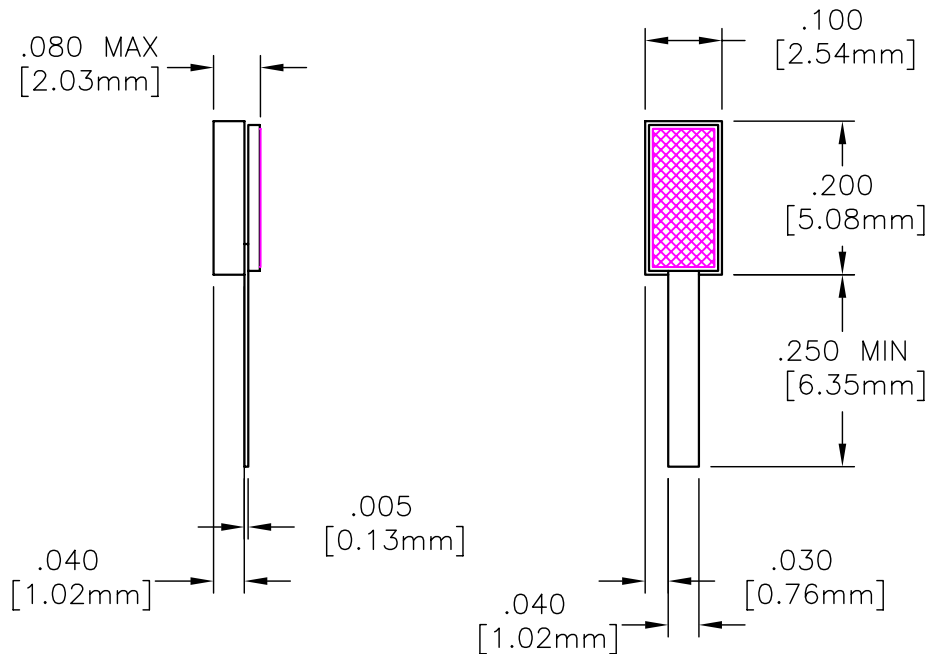
82-3033TC

REV.

A

NOTES:

1. UNLESS OTHERWISE SPECIFIED, TOLERANCES ARE $\pm .010$ " [.254mm].



MATERIALS:

SUBSTRATE: BERYLLIUM OXIDE

COVER: ALUMINA

TAB: BERYLLIUM COPPER PER ASTM B194

RESISTIVE FILM: NICHROME

FINISH:

TAB: TIN/LEAD PER MIL-T-10727

TECHNICAL:

NOMINAL IMPEDANCE (OHMS): 50

FREQUENCY RANGE (GHz): DC-10.0

TEMPERATURE COEFFICIENT: ± 200 PPM/ $^{\circ}$ C MAX


OPERATING TEMPERATURE ($^{\circ}$ C): -55° TO $+150^{\circ}$

VSWR (MAX): 1.12:1 DC-2.0 GHz

1.40:1 4.0-10.0

AVERAGE POWER (WATTS): 10

DC RESISTANCE: 50.0 OHMS $\pm 5\%$

				ECN# 01780	APVD	DATE	REFERENCE	 8851 OLD KANSAS AVE. STUART, FL. 34997 772-286-9300			
				UNLESS OTHERWISE SPECIFIED 1. DO NOT SCALE DRAWING 2. DIMENSIONS ARE IN INCHES 3. DIMENSIONS ARE AFTER PLATING 4. CORNERS, EDGES AND FILLETS: R MAX 5. SURFACE ROUGHNESS: 6. REMOVE ALL BURRS			CATALOG	TITLE CHIP TERMINATION 10 WATT			
							TOLERANCES .X \pm .XX \pm .XXX \pm ANGLES X' \pm			MATERIAL	-
							FINISH	-			
				THE INFORMATION CONTAINED HEREIN IS: (A) CONSIDERED PROPRIETARY TO FLORIDA RF LABS INC.; (B) PROTECTED BY COPYRIGHT OWNED BY FLORIDA RF LABS INC.; (C) CONSIDERED A "WORK FOR HIRE" UNDER COPYRIGHT LAW; (D) PROTECTED BY TRADE SECRET LAWS WHICH MAKE ILLEGAL THE MISAPPROPRIATION OF THIS INFORMATION; AND (E) IS TO BE USED SOLELY FOR THE PURPOSE WHICH IT IS SUPPLIED. THIS INFORMATION SHALL NOT BE DISCLOSED IN WHOLE OR IN PART, TO ANY PARTY, FOR ANY REASON WITHOUT THE EXPRESS WRITTEN CONSENT OF A QUALIFIED EXECUTIVE OF FLORIDA RF LABS INC.			SCALE	CAGE CODE ID NO.	SIZE	DRAWING NO.:	REV.
									4/1	2Y194	A
REV.	DESCRIPTION	DRAWN	APVD.				MFG:	CHKD.:	DRAWN: ALM 11/25/02	SHEET OF	