

EDD

NOTES:
UNLESS OTHERWISE SPECIFIED, TOLERANCES ARE $\pm .010"$ [254mm].

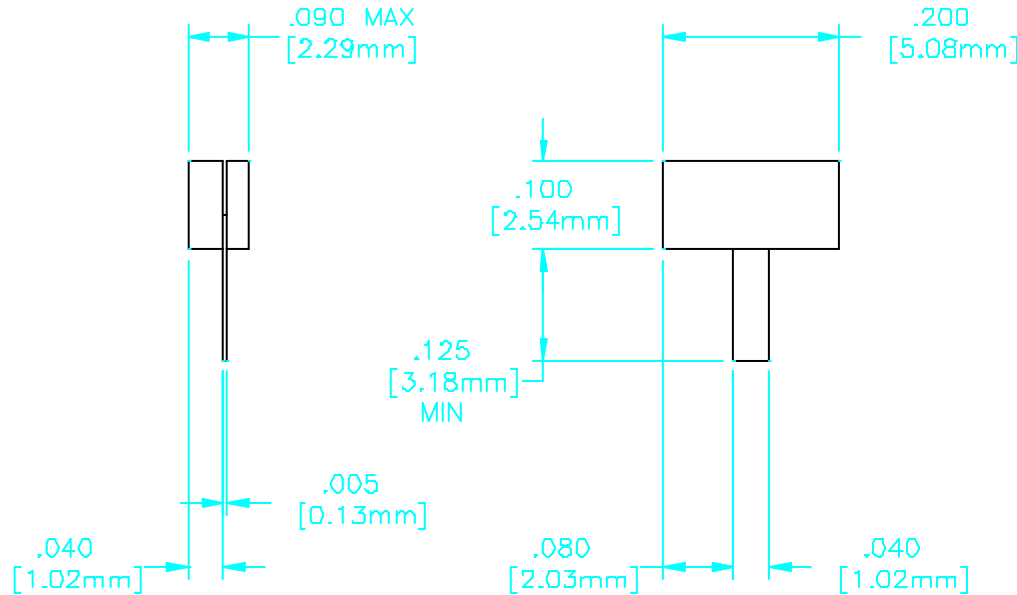
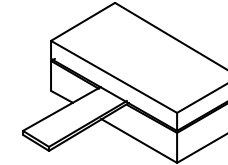
CAD#82-3045TCA

DRAWING NO.:

82-3045TC

REV.

A



MATERIALS:

SUBSTRATE: BERYLLIUM OXIDE

COVER: ALUMINA

TAB: BERYLLIUM COPPER PER ASTM B194

RESISTIVE FILM: NICHROME

FINISH:

TAB: TIN PER MIL-T-10727

TECHNICAL: (TERMINATION)

NOMINAL IMPEDANCE (OHMS): 50

FREQUENCY RANGE (GHz): DC-18.0


TEMPERATURE COEFFICIENT: ± 200 PPM/ $^{\circ}$ C MAX

OPERATING TEMPERATURE ($^{\circ}$ C): -55° TO $+150^{\circ}$

VSWR (MAX): 1.65:1

AVERAGE POWER (WATTS): 10

DC RESISTANCE: 50.0 OHMS $\pm 5\%$

				ECN#	N/A	APVD:	DATE	REFERENCE	 8851 OLD KANSAS AVE. STUART, FL. 34997 772-286-9300		
				UNLESS OTHERWISE SPECIFIED				CATALOG	TITLE CHIP, TERMINATION, 10 WATT		
				1. DO NOT SCALE DRAWING 2. DIMENSIONS ARE IN INCHES 3. DIMENSIONS ARE AFTER PLATING 4. CORNERS, EDGES AND FILLETS: R MAX 5. SURFACE ROUGHNESS 6. REMOVE ALL BUBBLES				MATERIAL			-
				TOLERANCES				FINISH	DRAWING NO.:		
				.X \pm .XX \pm .XXX \pm ANGLES X' \pm				-			82-3045TC
				THE INFORMATION CONTAINED HEREIN IS: (A) CONSIDERED PROPRIETARY TO FLORIDA R/F LABS INC.; (B) PROTECTED BY COPYRIGHT OWNED BY FLORIDA R/F LABS INC.; (C) CONSIDERED A "WORK FOR HIRE" UNDER COPYRIGHT LAW; (D) PROTECTED BY TRADE SECRET LAWS WHICH MAKE ILLEGAL THE MISAPPROPRIATION OF THIS INFORMATION; AND (E) IS TO BE USED SOLELY FOR THE PURPOSE WHICH IT IS SUPPLIED. THIS INFORMATION SHALL NOT BE DISCLOSED IN WHOLE OR IN PART, TO ANY PARTY, FOR ANY REASON WITHOUT THE EXPRESS WRITTEN CONSENT OF A QUALIFIED EXECUTIVE OF FLORIDA R/F LABS INC.				SCALE	CAGE CODE ID NO.	SIZE	REV.
A	ECN#01264	BLP 02/12/02						5/1	2Y194	A	A
REV.	DESCRIPTION	DRAWN	APVD.					MFG:	CHKD.:	DRAWN: BLP 02/12/02	SHEET OF