

EDD

NOTES:
UNLESS OTHERWISE SPECIFIED, TOLERANCES ARE ± .010" [.254mm].

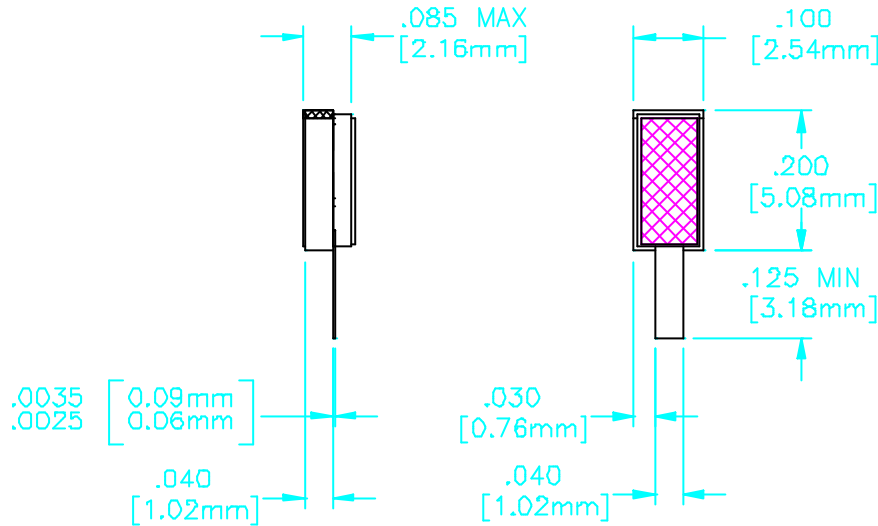
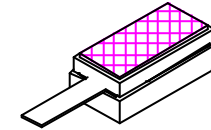
CAD#82-7002TCA

DRAWING NO.:

82-7004TC

REV.

A



MATERIALS:


SUBSTRATE: ALUMINUM NITRIDE
COVER: ALUMINA
TAB: BERYLLIUM COPPER
RESISTIVE FILM: NICHROME

FINISH:

TAB: TIN/LEAD OVER NICKEL

TECHNICAL:

NOMINAL IMPEDANCE (OHMS): 50
FREQUENCY RANGE (GHz): DC-3.0
TEMPERATURE COEFFICIENT: ± 200 PPM/°C MAX
OPERATING TEMPERATURE (°C): -55° TO +150°
VSWR (MAX): 1.20:1 DC-2.5 GHz
1.25:1 2.5-3.0 GHz
AVERAGE POWER (WATTS): 30
DC RESISTANCE: 50 OHMS ± 5%

				ECN# 01332	APVD	DATE	REFERENCE	 8851 OLD KANSAS AVE. STUART, FL 34997 772-286-9300			
				UNLESS OTHERWISE SPECIFIED			MATERIAL	TITLE			
				1. DO NOT SCALE DRAWING 2. DIMENSIONS ARE IN INCHES 3. DIMENSIONS ARE AFTER PLATING 4. CORNERS, EDGES AND FILLETS: R MAX 5. SURFACE ROUGHNESS: 6. REMOVE ALL BURRS			-	CHIP, TERMINATION 30 WATT			
				TOLERANCES			FINISH				
				.X ± .XX ± .XXX ± ANGLES X° ±			-				
				THE INFORMATION CONTAINED HEREIN IS: (A) CONSIDERED PROPRIETARY TO FLORIDA R/F LABS INC.; (B) PROTECTED BY COPYRIGHT OWNED BY FLORIDA R/F LABS INC.; (C) CONSIDERED A "WORK FOR HIRE" UNDER COPYRIGHT LAW; (D) PROTECTED BY TRADE SECRET LAWS WHICH MAKE ILLEGAL THE MISAPPROPRIATION OF THIS INFORMATION; AND (E) IS TO BE USED SOLELY FOR THE PURPOSE WHICH IT IS SUPPLIED. THIS INFORMATION SHALL NOT BE DISCLOSED IN WHOLE OR IN PART, TO ANY PARTY, FOR ANY REASON WITHOUT THE EXPRESS WRITTEN CONSENT OF A QUALIFIED EXECUTIVE OF FLORIDA R/F LABS INC.			SCALE	CAGE CODE ID NO.	SIZE	DRAWING NO.:	REV.
							4/1	2Y194	A	82-7004TC	A
REV.	DESCRIPTION	DRAWN	APVD.				MFG:	CHKD.:	DRAWN: PSC 04/01/02	SHEET OF	