

EDD

NOTES:  
UNLESS OTHERWISE SPECIFIED, TOLERANCES ARE ± .010" [.254mm].

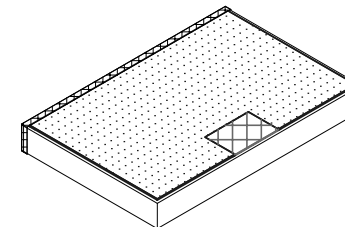
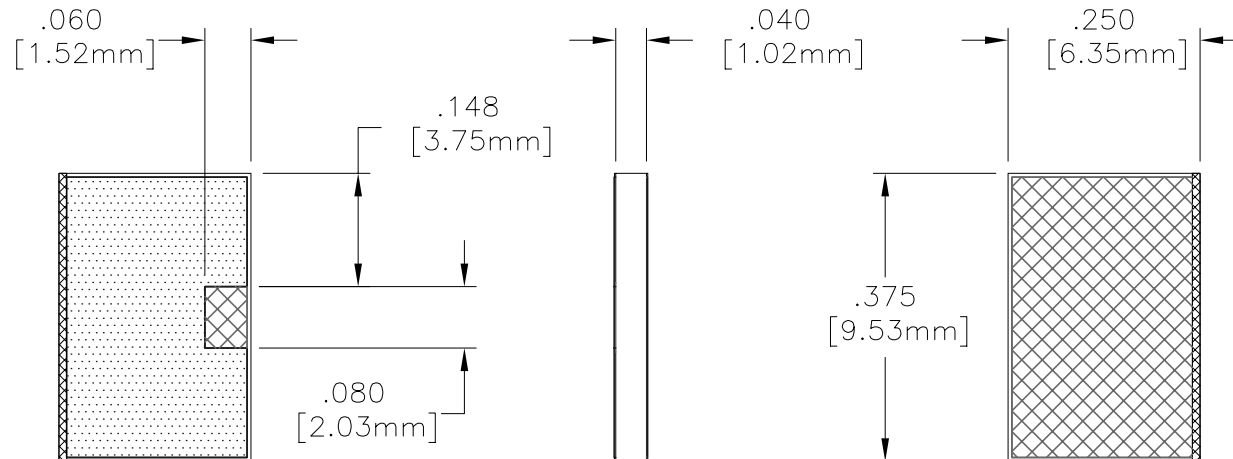
CAD#82-7011

DRAWING NO.:

82-7011

REV.

N/C



MATERIALS:


SUBSTRATE: ALUMINUM NITRIDE

FINISH:

SOLDERABLE TERMINALS: TIN/LEAD PER MIL-P-81728

RESISTIVE FILM: NICHROME

PROTECTIVE COATING: 240SB-HSP (BLUE)

				ECN# 00618	APVD OA	DATE 09/20/01	REFERENCE	 8851 OLD KANSAS AVE. STUART, FL. 34997 561-286-9300			
				UNLESS OTHERWISE SPECIFIED 1. DO NOT SCALE DRAWING 2. DIMENSIONS ARE IN INCHES 3. DIMENSIONS ARE AFTER PLATING 4. CORNERS, EDGES AND FILLETS: R MAX 5. SURFACE ROUGHNESS: 6. REMOVE ALL BURRS			MATERIAL	TITLE <b>CHIP, TERMINATION, 100 WATT</b>			
				TOLERANCES .X ± .XX ± .XXX ± ANGLES X° ±			FINISH				
				THE INFORMATION CONTAINED HEREIN IS: (A) CONSIDERED PROPRIETARY TO FLORIDA RF LABS INC.; (B) PROTECTED BY COPYRIGHT OWNED BY FLORIDA RF LABS INC.; (C) CONSIDERED A "WORK FOR HIRE" UNDER COPYRIGHT LAW; (D) PROTECTED BY TRADE SECRET LAWS WHICH MAKE ILLEGAL THE MISAPPROPRIATION OF THIS INFORMATION; AND (E) IS TO BE USED SOLELY FOR THE PURPOSE WHICH IT IS SUPPLIED. THIS INFORMATION SHALL NOT BE DISCLOSED IN WHOLE OR IN PART, TO ANY PARTY, FOR ANY REASON WITHOUT THE EXPRESS WRITTEN CONSENT OF A QUALIFIED EXECUTIVE OF FLORIDA RF LABS INC.			SCALE	CAGE CODE ID NO.	SIZE	DRAWING NO.:	REV.
							4/1	2Y194	A	82-7011	N/C
REV.	DESCRIPTION	DRAWN	APVD.				MFG:	CHKD.:	DRAWN:	SHEET 1 OF 2	
							MJK 05/03/01	NAK 05/01/01	BLP 04/30/01		

# EDD

CAD#82-7011

DRAWING NO.

**82-7011**

REV

**N/C**

REQUIREMENTS	RATING	REQUIREMENTS	RATING
NOMINAL IMPEDANCE (OHMS)	50	VIBRATION	MIL-STD-202 METHOD 204 COND. D (20 G's)
FREQUENCY RANGE (GHz)	DC-4.0		
TEMPERATURE COEFFICIENT	LESS THAN 200 PPM	SHOCK	MIL-STD-202 METHOD 213 COND. I (100 G's)
OPERATING TEMPERATURE (°C)	-55° TO +150°		
VSWR (MAX)	1.15:1	THERMAL SHOCK	MIL-STD-202 METHOD 107 COND. B (-65 TO +125 °C)
AVERAGE POWER (WATTS)	100		
DC RESISTANCE	50 OHMS ± 5%	TERMINAL STRENGTH	MIL-STD-202 METHOD 211 COND. A
		MOISTURE RESISTANCE	MIL-STD-202 METHOD 106 LESS STEP 7B
<div style="text-align: center;"> <p>AVERAGE POWER DERATING</p> </div>		SOLDERABILITY	MIL-STD-202 METHOD 208

TITLE **CHIP, TERMINATION,  
100 WATT**

**FLORIDA**  
**RF**  
**Labs** 8851 OLD KANSAS AVE.  
STUART, FL. 34997  
561-286-9300

DRAWN -  
SHEET 2 OF 2

DRAWING NO.  
**82-7011**

REV  
**N/C**