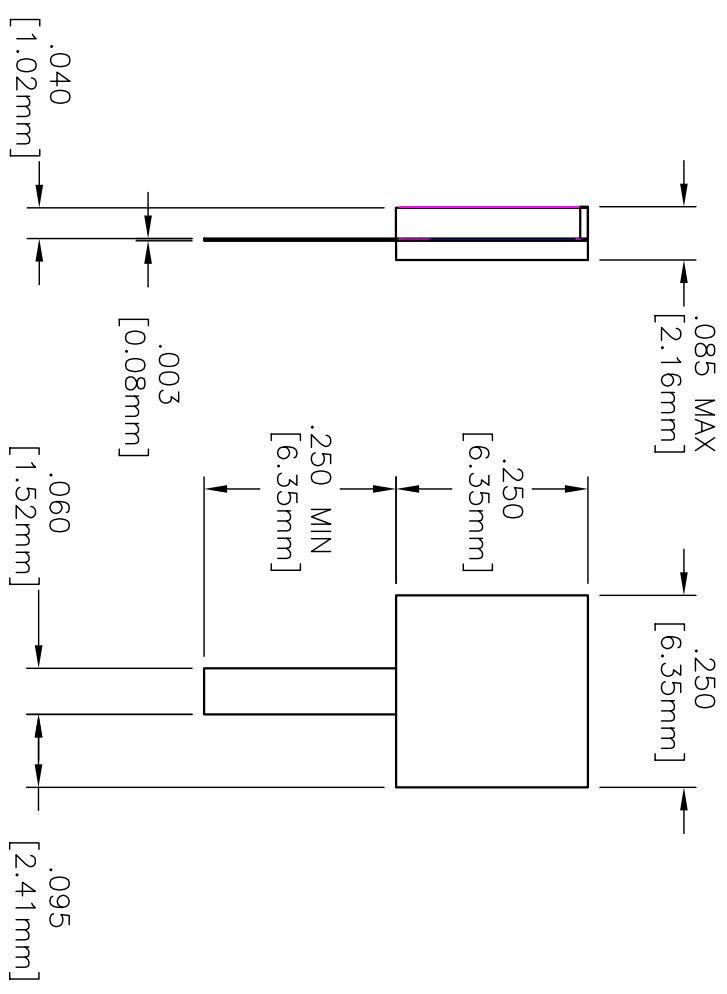
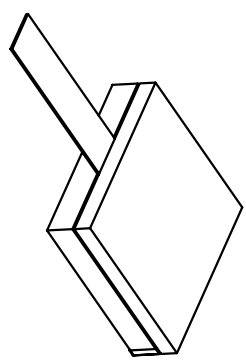


EDD

NOTES:
UNLESS OTHERWISE SPECIFIED, TOLERANCES ARE ± .010" [.254mm].

CAD#82-7013TC

DRAWING NO.:
82-7013TC REV. **N/C**



MATERIALS:
SUBSTRATE: ALUMINUM NITRIDE (AIN)
COVER: ALUMINA
TAB: BERYLLIUM COPPER PER ASTM B194
RESISTIVE FILM: NICHROME

FINISH:
SOLDERABLE GROUND PLANE: TIN/LEAD OVER NICKEL
TAB: TIN/LEAD PER MIL-T-10727
ELECTRICAL: (TERMINATION)

NOMINAL IMPEDANCE: 50 OHMS
FREQUENCY RANGE: DC-2.7 GHZ
VSWR (MAX): 1.10:1
AVERAGE POWER: 125 WATTS
DC RESISTANCE: 50 ± 5% OHMS
TEMPERATURE COEFFICIENT: ± 200 PPM MAX
OPERATING TEMPERATURE: -55° TO +150° (°C)

REV.	DESCRIPTION	DRAWN	APVD.	EN# 04-F0164	APVD	DATE
				UNLESS OTHERWISE SPECIFIED		
				1. DO NOT SCALE DRAWING		
				2. DIMENSIONS ARE IN INCHES		
				3. DIMENSIONS ARE AFTER PLATING		
				4. CORNERS, EDGES AND FILLETS: R		
				5. SURFACE ROUGHNESS: 6.3		
				6. REMOVE ALL BURRS		
				TOLERANCES		
				.X ± .X		
				.XX ± .XX		
				.XXX ± .XXX		
				ANGLES X ± X°		
				<p>THE INFORMATION CONTAINED HEREIN IS: (A) CONSIDERED PROPRIETARY TO FLORIDA RF LABS INC.; (B) PROTECTED BY COPYRIGHT OWNED BY FLORIDA RF LABS INC.; (C) CONSIDERED A "WORK FOR HIRE" UNDER COPYRIGHT LAW; (D) PROTECTED BY TRADE SECRET LAWS WHICH MAKE LEGAL THE MISAPPROPRIATION OF THIS INFORMATION; AND (E) IS TO BE USED SOLELY FOR THE PURPOSE WHICH IT IS SUPPLIED. THIS INFORMATION SHALL BE KEPT UNCLASSIFIED AND NOT RELEASED TO ANY PARTY OTHER THAN THE PERSON DISCLOSED THE PROCESS OR WHAT, TO THE EXTENT OF A QUALIFIED EXECUTIVE OF FLORIDA RF LABS INC.</p>		
				REFERENCE	CATALOG	
				MATERIAL	-	
				FINISH	-	
				SCALE	4/1	
				CAGE CODE	2Y194	
				ID NO.		A
				SIZE		
				DRAWING NO.:	82-7013TC	REV. N/C
				DRAWN:	JAD 04/23/04	SHEET OF