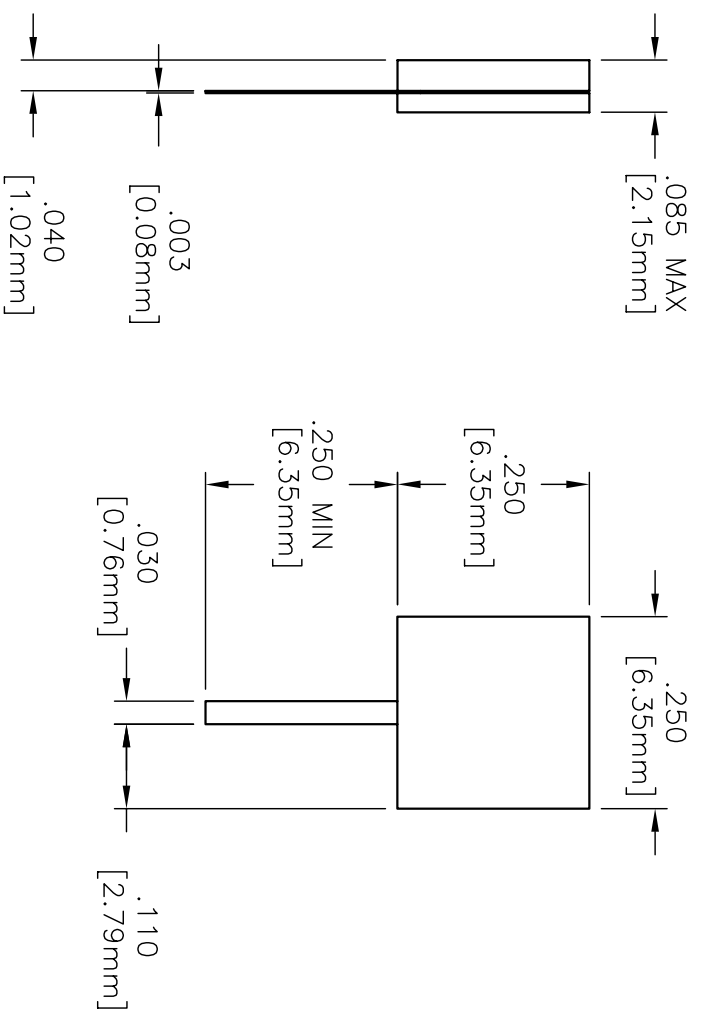
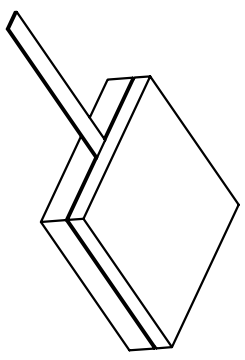


**EDD**

NOTES:  
UNLESS OTHERWISE SPECIFIED, TOLERANCES ARE ± .010" [ .254mm ].

CAD#82-7030TC\_C

DRAWING NO.:  
**82-7030TC** REV. **C**



MATERIALS:  
SUBSTRATE: ALUMINUM NITRIDE (AIN)  
COVER: ALUMINA  
TAB: BERYLLIUM COPPER  
RESISTIVE FILM: NICHROME

FINISH:  
SOLDERABLE GROUND PLANE: TIN/LEAD OVER NICKEL  
TAB: TIN PER MIL-T-10727  
ELECTRICAL: (TERMINATION)  
NOMINAL IMPEDANCE: 50 OHMS  
FREQUENCY RANGE: DC-2.0 GHZ  
VSWR (MAX): 1.20:1  
AVERAGE POWER: 40 WATTS  
DC RESISTANCE: 50 ± 2% OHMS  
TEMPERATURE COEFFICIENT: ± 200 PPM MAX  
OPERATING TEMPERATURE: -55° TO +150° (°C)

|      |             |       |       |                                   |           |        |
|------|-------------|-------|-------|-----------------------------------|-----------|--------|
| REV. | DESCRIPTION | DRAWN | APVD. | EN# 04-F0146                      | APVD      | DATE   |
|      |             |       |       | UNLESS OTHERWISE SPECIFIED        |           |        |
|      |             |       |       | 1. DO NOT SCALE DRAWING           |           |        |
|      |             |       |       | 2. DIMENSIONS ARE IN INCHES       |           |        |
|      |             |       |       | 3. DIMENSIONS ARE AFTER PLATING   |           |        |
|      |             |       |       | 4. CORNERS, EDGES, AND FILLETS: R |           |        |
|      |             |       |       | 5. SURFACE ROUGHNESS:             |           |        |
|      |             |       |       | 6. REMOVE ALL BURRS               |           |        |
|      |             |       |       | TOLERANCES                        |           |        |
|      |             |       |       | .X ±                              |           |        |
|      |             |       |       | .XX ±                             |           |        |
|      |             |       |       | .XXX ±                            |           |        |
|      |             |       |       | ANGLES X ±                        |           |        |
|      |             |       |       | REFERENCE                         |           |        |
|      |             |       |       | MATERIAL                          |           |        |
|      |             |       |       | FINISH                            |           |        |
|      |             |       |       | SCALE                             | CAGE CODE | ID NO. |
|      |             |       |       | 4/1                               | 2Y194     | A      |
|      |             |       |       | SIZE                              |           |        |
|      |             |       |       |                                   |           |        |
|      |             |       |       | DRAWING NO.:                      |           |        |
|      |             |       |       | 82-7030TC                         |           |        |
|      |             |       |       | REV.:                             |           |        |
|      |             |       |       | C                                 |           |        |
|      |             |       |       | DRAWN: ALM                        |           |        |
|      |             |       |       | 04/12/04                          | SHEET     | OF     |

**FLORIDA RJE Labs INC.**  
8851 OLD KANSAS AVE.  
STUART, FL 34997  
772-286-9300

TITLE  
**TAB & COVER, TERMINATION, 40 WATT**