

EDD

NOTES:
UNLESS OTHERWISE SPECIFIED, TOLERANCES ARE $\pm .010"$ [.254mm].

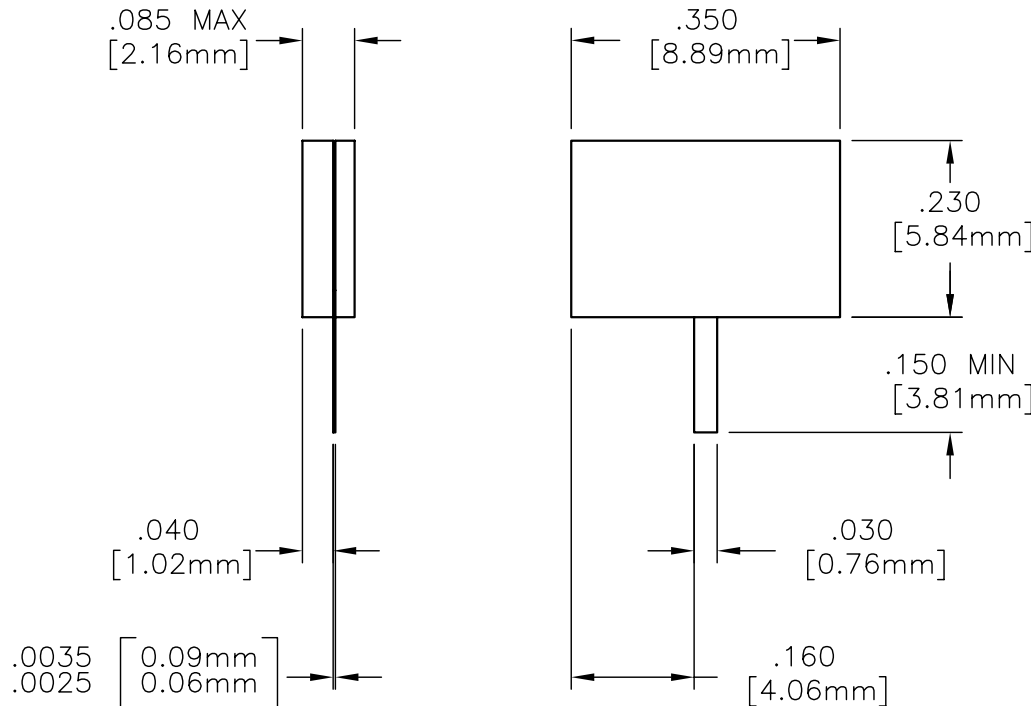
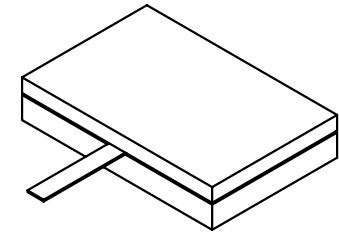
CAD#82-7187TC_A

DRAWING NO.:

82-7187TC

REV.

A



MATERIALS:

SUBSTRATE: ALUMINUM NITRIDE

COVER: ALUMINA

TAB: BERYLLIUM COPPER PER ASTM B194

RESISTIVE FILM: NICHROME

FINISH:

TAB: TIN PER MIL-T-10727

TECHNICAL:

NOMINAL IMPEDANCE (OHMS): 50

FREQUENCY RANGE (GHz): DC-2.0


VSWR (TYP): 1.1:1

AVERAGE POWER (WATTS): 120

DC RESISTANCE: 50 OHMS $\pm 5\%$

TEMPERATURE COEFFICIENT: ± 200 PPM/ $^{\circ}$ C MAX

OPERATING TEMPERATURE ($^{\circ}$ C): -55° TO $+150^{\circ}$

				ECN# 01354	APVD OA	DATE 04/04/02	REFERENCE	 8851 OLD KANSAS AVE. STUART, FL. 34997 772-286-9300			
				UNLESS OTHERWISE SPECIFIED 1. DO NOT SCALE DRAWING 2. DIMENSIONS ARE IN INCHES 3. DIMENSIONS ARE AFTER PLATING 4. CORNERS, EDGES AND FILLETS: R MAX 5. SURFACE ROUGHNESS: 6. REMOVE ALL BURRS			MATERIAL	TITLE CHIP, TERMINATION 120 WATT			
							FINISH				
				TOLERANCES .X \pm .XX \pm .XXX \pm ANGLES X $^{\circ}$ \pm			SCALE	CAGE CODE ID NO.	SIZE	DRAWING NO.:	REV.
A	ECN#02314	ALM 10/09/03		THE INFORMATION CONTAINED HEREIN IS: (A) CONSIDERED PROPRIETARY TO FLORIDA RF LABS INC.; (B) PROTECTED BY COPYRIGHT OWNED BY FLORIDA RF LABS INC.; (C) CONSIDERED A "WORK FOR HIRE" UNDER COPYRIGHT LAW; (D) PROTECTED BY TRADE SECRET LAWS WHICH MAKE ILLEGAL THE MISAPPROPRIATION OF THIS INFORMATION; AND (E) IS TO BE USED SOLELY FOR THE PURPOSE WHICH IT IS SUPPLIED. THIS INFORMATION SHALL NOT BE DISCLOSED IN WHOLE OR IN PART, TO ANY PARTY, FOR ANY REASON WITHOUT THE EXPRESS WRITTEN CONSENT OF A QUALIFIED EXECUTIVE OF FLORIDA RF LABS INC.			4/1	2Y194	A	82-7187TC	A
REV.	DESCRIPTION	DRAWN	APVD.				MFG:	CHKD.: DR 04/03/02	DRAWN: PSC 04/03/02	SHEET	OF