

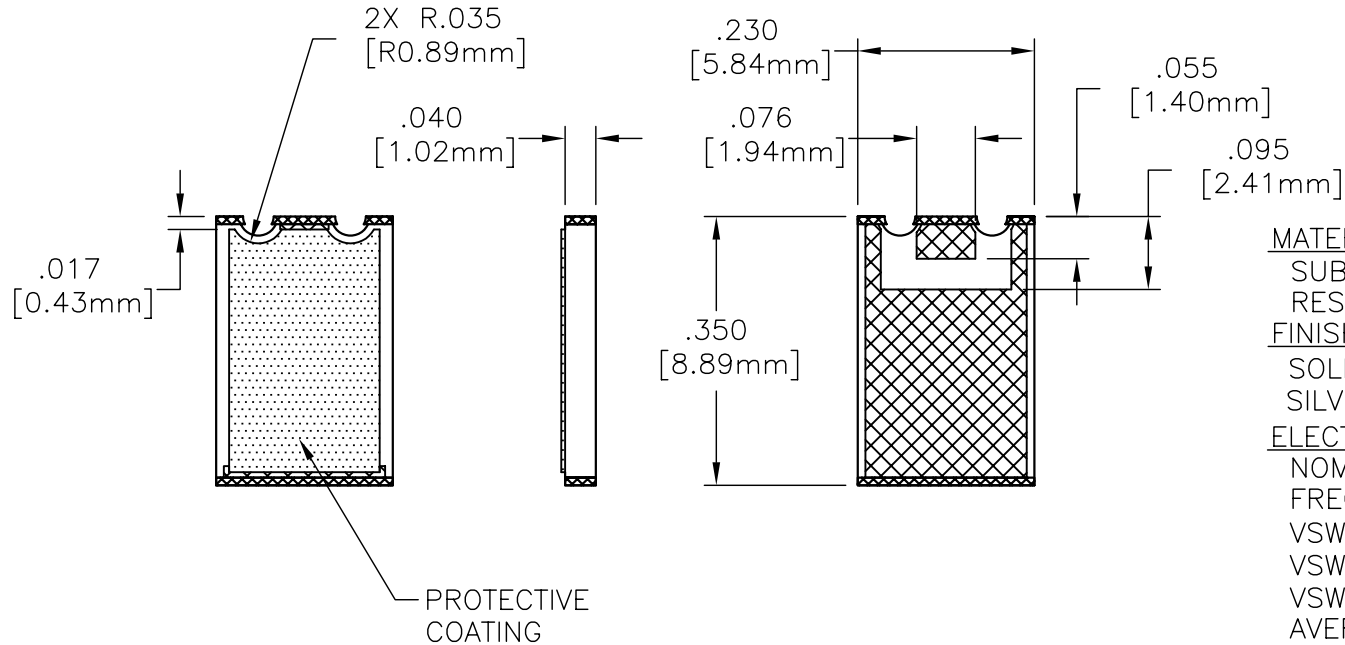
EDD

NOTES:
UNLESS OTHERWISE SPECIFIED, TOLERANCES ARE $\pm .010$ " [.254mm].

CAD#82-7998

DRAWING NO.:
82-7998

REV.
N/C



MATERIALS:


SUBSTRATE: ALUMINUM NITRIDE (AIN)
RESISTIVE FILM: NICHROME

FINISH:

SOLDERABLE GROUND PLANE:
SILVER OVER NICKEL 010-01-044

ELECTRICAL: (TERMINATION)

NOMINAL IMPEDANCE: 50 OHMS
FREQUENCY RANGE: DC-3.6 GHz
VSWR (MAX): 1.10:1 DC-2.0 GHz
VSWR (MAX): 1.17:1 2.0-3.0 GHz
VSWR (MAX): 1.25:1 3.0-3.6 GHz
AVERAGE POWER: 40 WATTS
DC RESISTANCE: $50 \pm 5\%$ OHMS
TEMPERATURE COEFFICIENT: ± 200 PPM MAX
OPERATING TEMPERATURE: -55° TO $+150^\circ$ ($^\circ$ C)

				EN# 04-F0156	APVD	DATE	REFERENCE	 8851 OLD KANSAS AVE. STUART, FL. 34997 772-286-9300			
				UNLESS OTHERWISE SPECIFIED 1. DO NOT SCALE DRAWING 2. DIMENSIONS ARE IN INCHES 3. DIMENSIONS ARE AFTER PLATING 4. CORNERS, EDGES AND FILLETS: R MAX 5. SURFACE ROUGHNESS 6. REMOVE ALL BURRS			CATALOG	TITLE CHIP, TERMINATION, 40 WATT			
							MATERIAL			-	
				TOLERANCES .X \pm .XX \pm .XXX \pm ANGLES X' \pm			FINISH	-			
				THE INFORMATION CONTAINED HEREIN IS: (A) CONSIDERED PROPRIETARY TO FLORIDA RF LABS INC.; (B) PROTECTED BY COPYRIGHT OWNED BY FLORIDA RF LABS INC.; (C) CONSIDERED A "WORK FOR HIRE" UNDER COPYRIGHT LAW; (D) PROTECTED BY TRADE SECRET LAWS WHICH MAKE ILLEGAL THE MISAPPROPRIATION OF THIS INFORMATION; AND (E) IS TO BE USED SOLELY FOR THE PURPOSE WHICH IT IS SUPPLIED. THIS INFORMATION SHALL NOT BE DISCLOSED IN WHOLE OR IN PART, TO ANY PARTY, FOR ANY REASON WITHOUT THE EXPRESS WRITTEN CONSENT OF A QUALIFIED EXECUTIVE OF FLORIDA RF LABS INC.			SCALE	CAGE CODE ID NO.	SIZE	DRAWING NO.:	REV.
							4/1	2Y194	A	82-7998	N/C
REV.	DESCRIPTION	DRAWN	APVD.	MFG:	CHKD.:	DRAWN: ALM	04/20/04	SHEET 1 OF 2			

EDD

CAD#82-7998

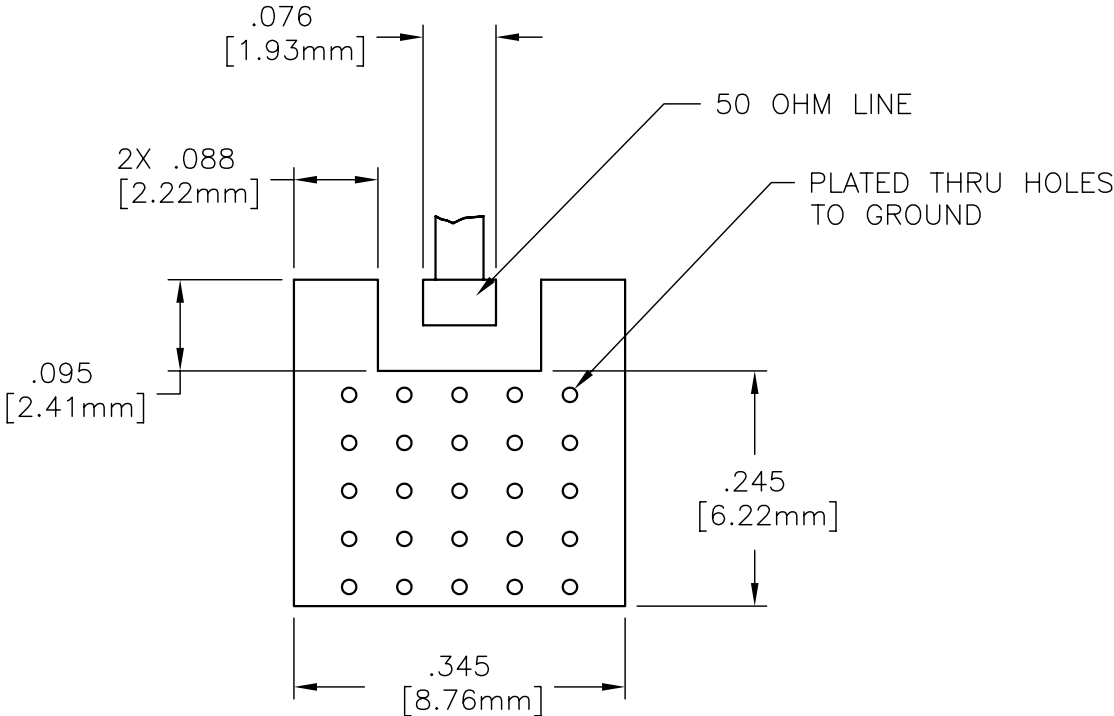
DRAWING NO.:

82-7998

REV.

N/C

LAND PATTERN FOR REFERENCE



THE INFORMATION CONTAINED HEREIN IS: (A) CONSIDERED PROPRIETARY TO FLORIDA RF LABS INC.; (B) PROTECTED BY COPYRIGHT OWNED BY FLORIDA RF LABS INC.; (C) CONSIDERED A "WORK FOR HIRE" UNDER COPYRIGHT LAW; (D) PROTECTED BY TRADE SECRET LAWS WHICH MAKE ILLEGAL THE MISAPPROPRIATION OF THIS INFORMATION; AND (E) IS TO BE USED SOLELY FOR THE PURPOSE WHICH IT IS SUPPLIED. THIS INFORMATION SHALL NOT BE DISCLOSED IN WHOLE OR IN PART, TO ANY PARTY, FOR ANY REASON WITHOUT THE EXPRESS WRITTEN CONSENT OF A QUALIFIED EXECUTIVE OF FLORIDA RF LABS INC.



8851 OLD KANSAS AVE.
STUART, FL. 34997
772-286-9300

SCALE 5/1	CAGE CODE ID NO. 2Y194	SIZE A	DRAWING NO.: 82-7998	REV. N/C
MFG: -	CHKD.: -	DRAWN: -	SHEET 2 OF 2	