

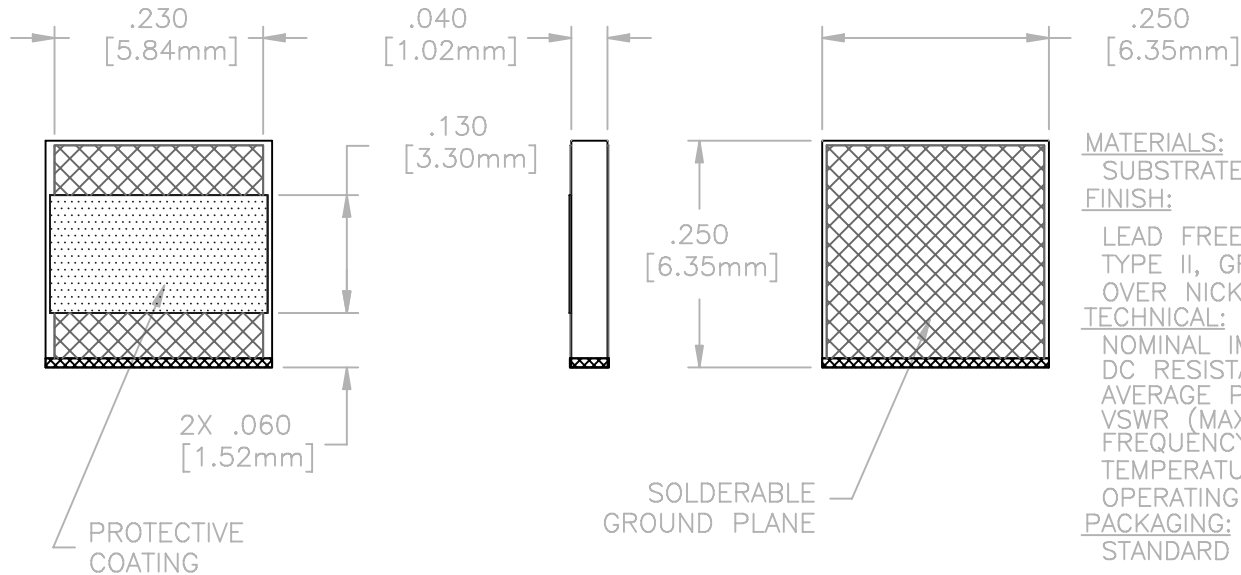
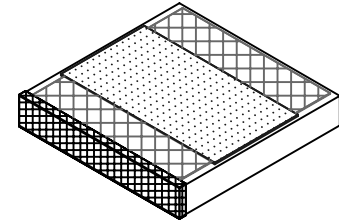
EDD

NOTES:
UNLESS OTHERWISE SPECIFIED, TOLERANCES ARE $\pm .010"$ [.254mm].


CAD#82A3003

DRAWING NO.:
82A3003

REV.
N/C



MATERIALS:
SUBSTRATE: BERYLLIUM OXIDE
FINISH:
LEAD FREE SILVER PLATE PER QQ-S-365
TYPE II, GRADE A .0003-.0006
OVER NICKEL PER QQ-N-290 .0001-.0003 THICK
TECHNICAL:
NOMINAL IMPEDANCE (OHMS): 50
DC RESISTANCE: 50.0 OHMS \pm 5%
AVERAGE POWER (WATTS): 60
VSWR (MAX): 1.35:1
FREQUENCY RANGE (GHz): DC-2.0
TEMPERATURE COEFFICIENT: < 200 PPM
OPERATING TEMPERATURE (°C): -55° TO +150°
PACKAGING:
STANDARD TAPE AND REEL

				EN# 04-F0403	APVD	DATE	REFERENCE		 8851 OLD KANSAS AVE. STUART, FL. 34997 772-286-9300
				UNLESS OTHERWISE SPECIFIED 1. DO NOT SCALE DRAWING 2. DIMENSIONS ARE IN INCHES 3. DIMENSIONS ARE AFTER PLATING 4. CORNERS, EDGES AND FILLETS: R MAX 5. SURFACE ROUGHNESS 6. REMOVE ALL BURRS			CATALOG		
				TOLERANCES .X \pm .XX \pm .XXX \pm ANGLES X° \pm			MATERIAL		TITLE
				THE INFORMATION CONTAINED HEREIN IS: (A) CONSIDERED PROPRIETARY TO FLORIDA RF LABS INC.; (B) PROTECTED BY COPYRIGHT OWNED BY FLORIDA RF LABS INC.; (C) CONSIDERED A "WORK FOR HIRE" UNDER COPYRIGHT LAW; (D) PROTECTED BY TRADE SECRET LAWS WHICH MAKE ILLEGAL THE MISAPPROPRIATION OF THIS INFORMATION; AND (E) IS TO BE USED SOLELY FOR THE PURPOSE WHICH IT IS SUPPLIED. THIS INFORMATION SHALL NOT BE DISCLOSED IN WHOLE OR IN PART, TO ANY PARTY, FOR ANY REASON WITHOUT THE EXPRESS WRITTEN CONSENT OF A QUALIFIED EXECUTIVE OF FLORIDA RF LABS INC.			FINISH		CHIP, TERMINATION, 60 WATT
				SCALE	CAGE CODE ID NO.	SIZE	DRAWING NO.:		REV.
				5/1	2Y194	A	82A3003		N/C
REV.	DESCRIPTION	DRAWN	APVD.	MFG:		CHKD.:	DRAWN: JG 10/11/04		SHEET OF