

EDD

CAD#82A3031F

DRAWING NO.:

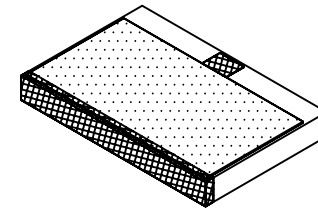
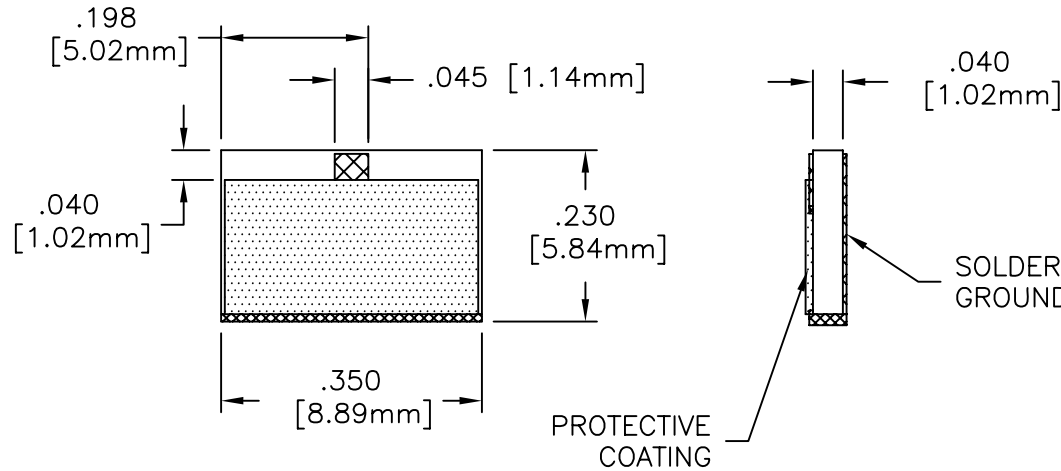
82A3031F

REV.

-

NOTES:

1. UNLESS OTHERWISE SPECIFIED, TOLERANCES ARE $\pm .010$ " [.254mm].



MATERIALS:

SUBSTRATE: BERYLLIUM OXIDE CERAMIC

RESISTIVE FILM: THIN FILM

FINISH:

ROHS COMPLIANT

SOLDERABLE TERMINALS: SILVER


TECHNICAL:

AVERAGE POWER: 150 WATT @ 85°C

RESISTANCE: 50 OHMS $\pm 2\%$

FREQUENCY: DC-2.0 GHz

VSWR (MAX): 1.10:1

				RLSE# 06-F0723	APVD	DATE	REFERENCE	 8851 OLD KANSAS AVE. STUART, FL. 34997 772-286-9300			
				UNLESS OTHERWISE SPECIFIED 1. DO NOT SCALE DRAWING 2. DIMENSIONS ARE IN INCHES 3. DIMENSIONS ARE AFTER PLATING 4. CORNERS, EDGES AND FILLETS: R MAX 5. SURFACE ROUGHNESS: 6. REMOVE ALL BURRS			MATERIAL	TITLE CHIP, TERMINATION 150 WATT			
							TOLERANCES .X \pm .XX \pm ANGLES X° \pm .XXX \pm				FINISH
				THE INFORMATION CONTAINED HEREIN IS: (A) CONSIDERED PROPRIETARY TO FLORIDA RF LABS INC.; (B) PROTECTED BY COPYRIGHT OWNED BY FLORIDA RF LABS INC.; (C) CONSIDERED A "WORK FOR HIRE" UNDER COPYRIGHT LAW; (D) PROTECTED BY TRADE SECRET LAWS WHICH MAKE ILLEGAL THE MISAPPROPRIATION OF THIS INFORMATION; AND (E) IS TO BE USED SOLELY FOR THE PURPOSE WHICH IT IS SUPPLIED. THIS INFORMATION SHALL NOT BE DISCLOSED IN WHOLE OR IN PART, TO ANY PARTY, FOR ANY REASON WITHOUT THE EXPRESS WRITTEN CONSENT OF A QUALIFIED EXECUTIVE OF FLORIDA RF LABS INC.			SCALE	CAGE CODE ID NO.	SIZE	DRAWING NO.:	REV.
REV.	DESCRIPTION	DRAWN	APVD.				4/1	2Y194	A	82A3031F	-
				MFG:	CHKD.:	DRAWN: CRH 08/17/06	SHEET OF				