

EDD

NOTES:
UNLESS OTHERWISE SPECIFIED, TOLERANCES ARE $\pm .010"$ [.254mm].

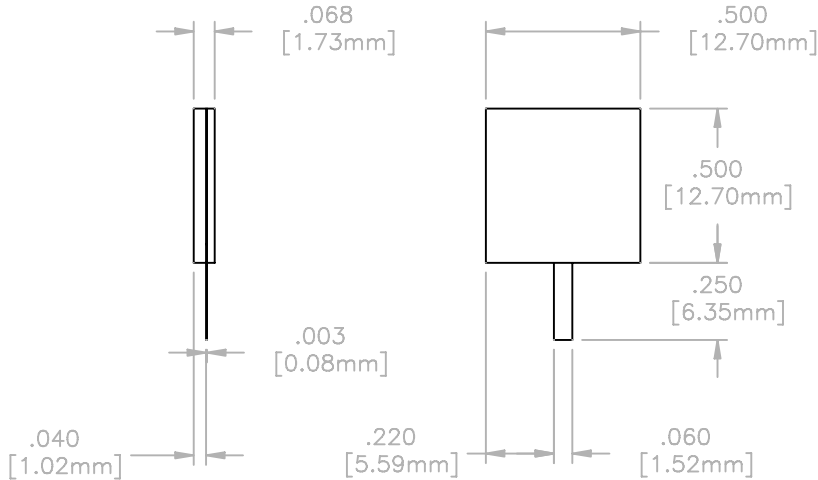
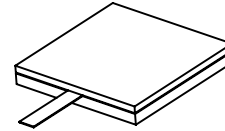
CAD#82A3040TCF

DRAWING NO.:

82A3040TCF

REV.

-



MATERIALS:


SUBSTRATE: BERYLLIUM OXIDE
COVER: ALUMINA
TAB: BERYLLIUM COPPER PER ASTM B194
RESISTIVE FILM: THIN FILM

FINISH:

RoHS COMPLIANT
SOLDERABLE GROUND PLANE: SILVER
TAB: SILVER PER QQ-S-365

ELECTRICAL: (TERMINATION)

NOMINAL IMPEDANCE: 50 OHMS
FREQUENCY RANGE: DC-1.5 GHz
VSWR (MAX): 1.35:1
AVERAGE POWER: 500 WATTS
DC RESISTANCE: 50 \pm 5% OHMS
TEMPERATURE COEFFICIENT: \pm 200 PPM MAX
OPERATING TEMPERATURE: -55° TO +150° (°C)

				EN# 06-F0674	APVD	DATE	REFERENCE		 8851 OLD KANSAS AVE. STUART, FL. 34997 772-286-9300					
				UNLESS OTHERWISE SPECIFIED			CATALOG		TITLE TAB & COVER, TERMINATION, 500 WATT					
				1. DO NOT SCALE DRAWING 2. DIMENSIONS ARE IN INCHES 3. DIMENSIONS ARE AFTER PLATING 4. CORNERS, EDGES AND FILLETS: R MAX 5. SURFACE ROUGHNESS: 63 6. REMOVE ALL BURRS			MATERIAL				-			
				TOLERANCES			FINISH				-			
				.X \pm .XX \pm .XXX \pm ANGLES X° \pm			SCALE		CAGE CODE ID NO.		SIZE			
				THE INFORMATION CONTAINED HEREIN IS: (A) CONSIDERED PROPRIETARY TO FLORIDA RF LABS INC.; (B) PROTECTED BY COPYRIGHT OWNED BY FLORIDA RF LABS INC.; (C) CONSIDERED A "WORK FOR HIRE" UNDER COPYRIGHT LAW; (D) PROTECTED BY TRADE SECRET LAWS WHICH MAKE ILLEGAL THE MISAPPROPRIATION OF THIS INFORMATION; AND (E) IS TO BE USED SOLELY FOR THE PURPOSE WHICH IT IS SUPPLIED. THIS INFORMATION SHALL NOT BE DISCLOSED IN WHOLE OR IN PART, TO ANY PARTY, FOR ANY REASON WITHOUT THE EXPRESS WRITTEN CONSENT OF A QUALIFIED EXECUTIVE OF FLORIDA RF LABS INC.			2/1		2Y194		A		DRAWING NO.:	
				MFG:		CHKD.:		DRAWN: JAP 8/8/06		REV.				
								82A3040TCF		-				
				DRAWN: JAP 8/8/06		SHEET		OF						