

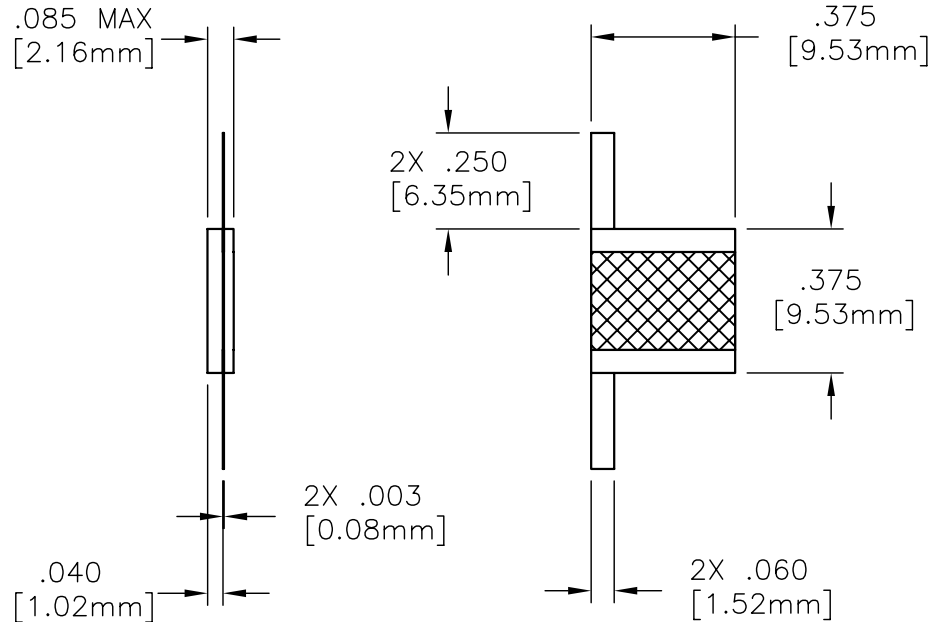
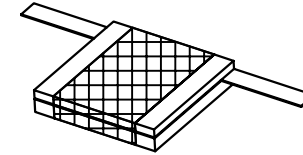
EDD

NOTES:
1. UNLESS OTHERWISE SPECIFIED, TOLERANCES ARE $\pm .010"$ [.254mm].

CAD#83-3006TC-20.00

DRAWING NO.:
83-3006TC-20.00

REV.
N/C



MATERIALS:


SUBSTRATE: BERYLLIUM OXIDE
 COVER: ALUMINA
 TAB: BERYLLIUM COPPER PER ASTM B194
 RESISTIVE FILM: NICHROME

FINISH:

SOLDERABLE GROUND PLANE: TIN/LEAD OVER NICKEL
 TAB: TIN/LEAD PER MIL-T-10727

ELECTRICAL: (ATTENUATOR)

NOMINAL IMPEDANCE: 50 OHMS
 FREQUENCY RANGE: DC-1.0 GHz
 VSWR (MAX): 1.50:1
 INPUT POWER: 150 WATTS
 ATTENUATION STABILITY: .0001 dB/dB/°C
 ATTENUATION ACCURACY: 20.0 dB \pm 1.0 dB
 TEMPERATURE COEFFICIENT: \pm 200 PPM MAX
 OPERATING TEMP.: -55° TO +150° (°C)

				EN# 04-F0164	APVD	DATE	REFERENCE		 8851 OLD KANSAS AVE. STUART, FL. 34997 772-286-9300
				UNLESS OTHERWISE SPECIFIED 1. DO NOT SCALE DRAWING 2. DIMENSIONS ARE IN INCHES 3. DIMENSIONS ARE AFTER PLATING 4. CORNERS, EDGES AND FILLETS: R MAX 5. SURFACE ROUGHNESS: 63 6. REMOVE ALL BURRS			CATALOG		
				TOLERANCES .X \pm .XX \pm .XXX \pm ANGLES X° \pm X°			MATERIAL		TITLE TAB & COVER, ATTENUATOR, 150 WATT, 20.00 dB
				THE INFORMATION CONTAINED HEREIN IS: (A) CONSIDERED PROPRIETARY TO FLORIDA RF LABS INC.; (B) PROTECTED BY COPYRIGHT OWNED BY FLORIDA RF LABS INC.; (C) CONSIDERED A "WORK FOR HIRE" UNDER COPYRIGHT LAW; (D) PROTECTED BY TRADE SECRET LAWS WHICH MAKE ILLEGAL THE MISAPPROPRIATION OF THIS INFORMATION; AND (E) IS TO BE USED SOLELY FOR THE PURPOSE WHICH IT IS SUPPLIED. THIS INFORMATION SHALL NOT BE DISCLOSED IN WHOLE OR IN PART, TO ANY PARTY, FOR ANY REASON WITHOUT THE EXPRESS WRITTEN CONSENT OF A QUALIFIED EXECUTIVE OF FLORIDA RF LABS INC.			FINISH		
				SCALE	CAGE CODE ID NO.	SIZE	DRAWING NO.:		REV.
				2/1	2Y194	A	83-3006TC-20.00		N/C
REV.	DESCRIPTION	DRAWN	APVD.	MFG:		CHKD.:	DRAWN: JAD 04/29/04		SHEET OF