

EDD

CAD#83-3016TCA

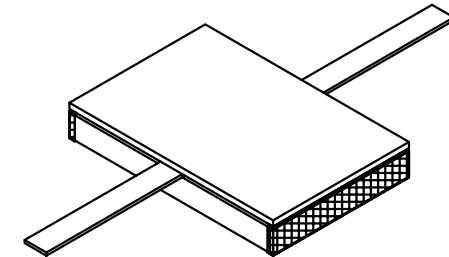
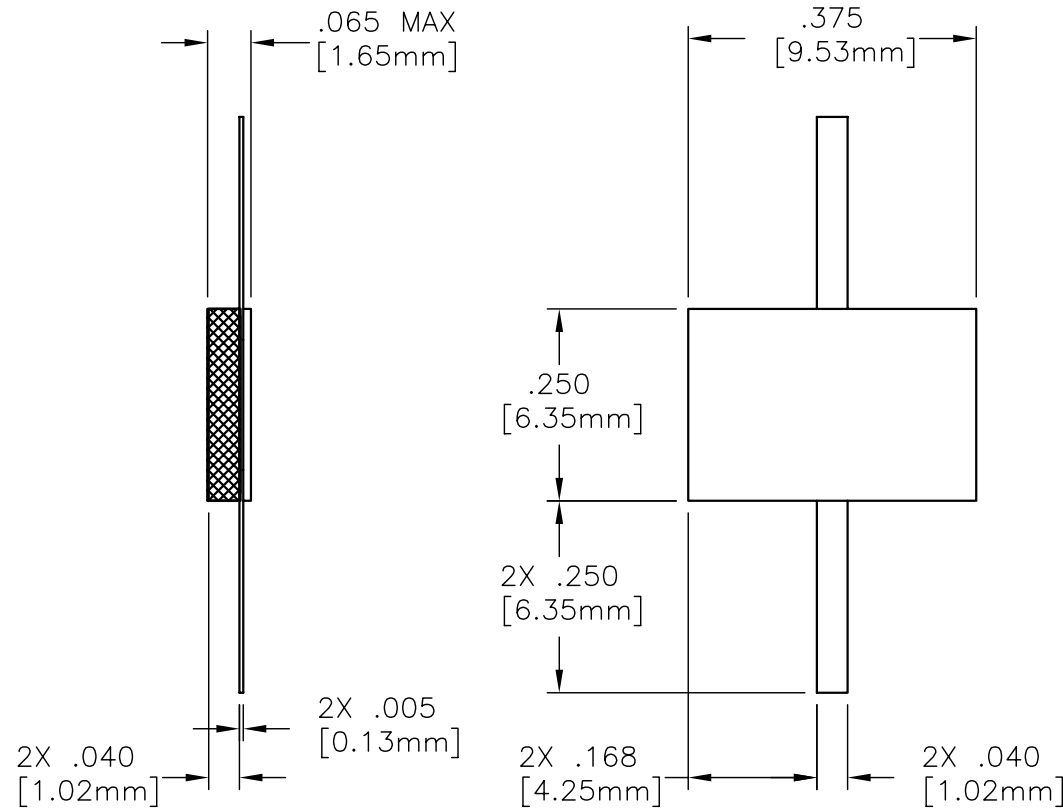
DRAWING NO.:

83-3016TC-*

REV.

A

NOTES:
UNLESS OTHERWISE SPECIFIED, TOLERANCES ARE $\pm .010$ " [.254mm].



MATERIALS:


SUBSTRATE: BERYLLIUM OXIDE
COVER: ALUMINA
TAB: BERYLLIUM COPPER PER ASTM B194
RESISTIVE FILM: NICHROME

FINISH:

TAB: TIN/LEAD PER MIL-T-10727

TECHNICAL:

NOMINAL IMPEDANCE (OHMS): 50
FREQUENCY RANGE (GHz): DC-2.0
TEMPERATURE COEFFICIENT: ± 200 PPM/ $^{\circ}$ C MAX
OPERATING TEMP. ($^{\circ}$ C): -55° TO $+150^{\circ}$
VSWR (MAX): 1.30:1
INPUT POWER (WATTS): 150
ATTENUATION STABILITY: .0001 dB/dB/ $^{\circ}$ C
ATTENUATION ACCURACY: ± 1.5 dB

				ECN# 00509	APVD SS	DATE 05/31/02	REFERENCE -		8851 OLD KANSAS AVE. STUART, FL. 34997 772-286-9300		
				UNLESS OTHERWISE SPECIFIED 1. DO NOT SCALE DRAWING 2. DIMENSIONS ARE IN INCHES 3. DIMENSIONS ARE AFTER PLATING 4. CORNERS, EDGES AND FILLETS: R MAX 5. SURFACE ROUGHNESS: 6. REMOVE ALL BURRS			MATERIAL -	TITLE CHIP, ATTENUATOR, 150 WATT			
				TOLERANCES .X \pm .XX \pm .XXX \pm ANGLES X' \pm			FINISH -				
				THE INFORMATION CONTAINED HEREIN IS: (A) CONSIDERED PROPRIETARY TO FLORIDA RF LABS INC.; (B) PROTECTED BY COPYRIGHT OWNED BY FLORIDA RF LABS INC.; (C) CONSIDERED A "WORK FOR HIRE" UNDER COPYRIGHT LAW; (D) PROTECTED BY TRADE SECRET LAWS WHICH MAKE ILLEGAL THE MISAPPROPRIATION OF THIS INFORMATION; AND (E) IS TO BE USED SOLELY FOR THE PURPOSE WHICH IT IS SUPPLIED. THIS INFORMATION SHALL NOT BE DISCLOSED IN WHOLE OR IN PART, TO ANY PARTY, FOR ANY REASON WITHOUT THE EXPRESS WRITTEN CONSENT OF A QUALIFIED EXECUTIVE OF FLORIDA RF LABS INC.			SCALE 4/1	CAGE CODE ID NO. 2Y194	SIZE A	DRAWING NO.:	REV.
A	ECN#01520	PSC 06/24/02							83-3016TC-*	A	
REV.	DESCRIPTION	DRAWN	APVD.				MFG: MJK 05/31/02	CHKD.: DB 05/30/02	DRAWN: BLP 06/11/02	SHEET OF	