

EDD

NOTES:  
UNLESS OTHERWISE SPECIFIED, TOLERANCES ARE  $\pm .010$ " [.254mm].

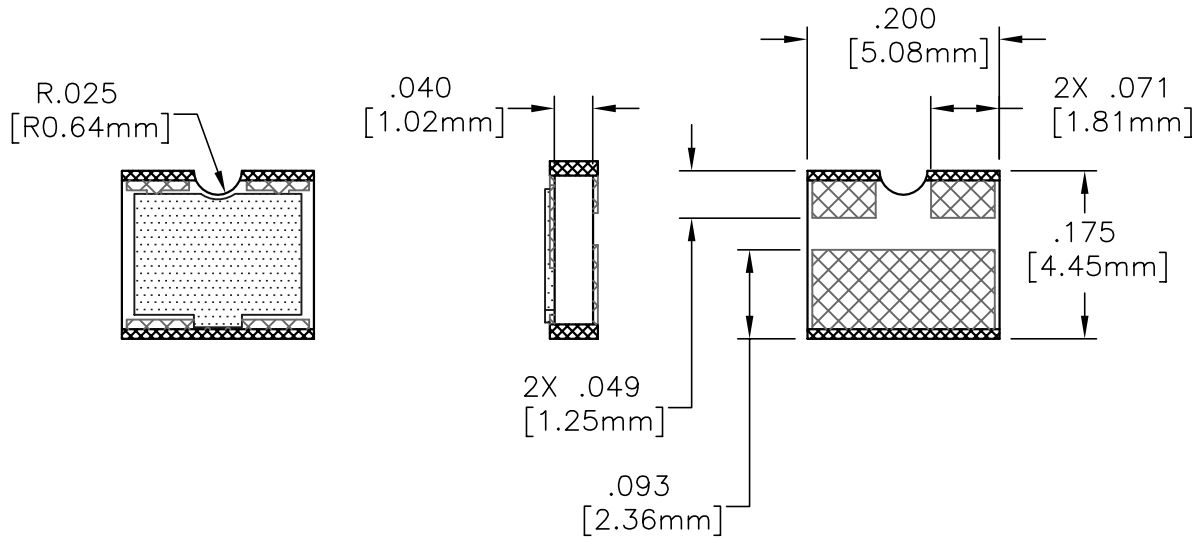
CAD#83-3995A

DRAWING NO.:

83-3995-\*

REV.

A



MATERIALS:

SUBSTRATE: BERYLLIUM OXIDE

RESISTIVE FILM:

FINISH:

TERMINALS: TIN/LEAD OVER NICKEL

TECHNICAL:

NOMINAL IMPEDANCE (OHMS): 50

FREQUENCY RANGE (GHz): DC-3.0 GHz

TEMPERATURE COEFFICIENT:  $\pm 200$  PPM/ $^{\circ}$ C MAX

OPERATING TEMP. ( $^{\circ}$ C):  $-55^{\circ}$  TO  $+150^{\circ}$


VSWR (MAX): 1.50:1

INPUT POWER (WATTS): 5

ATTENUATION STABILITY: .0001 dB/dB/ $^{\circ}$ C

\*ATTENUATION ACCURACY: 1-10dB  $\pm 0.5$ dB

11-20dB  $\pm 1.0$ dB

				ECN# 01318	APVD OA	DATE 04/10/02	REFERENCE	 8851 OLD KANSAS AVE. STUART, FL. 34997 772-286-9300			
				UNLESS OTHERWISE SPECIFIED 1. DO NOT SCALE DRAWING 2. DIMENSIONS ARE IN INCHES 3. DIMENSIONS ARE AFTER PLATING 4. CORNERS, EDGES AND FILLETS: R MAX 5. SURFACE ROUGHNESS: 6. REMOVE ALL BURRS			MATERIAL		TITLE		
				TOLERANCES .X $\pm$ .XX $\pm$ .XXX $\pm$ ANGLES X' $\pm$			FINISH		CHIP, ATTENUATOR 5 WATT		
				THE INFORMATION CONTAINED HEREIN IS: (A) CONSIDERED PROPRIETARY TO FLORIDA RF LABS INC.; (B) PROTECTED BY COPYRIGHT OWNED BY FLORIDA RF LABS INC.; (C) CONSIDERED A "WORK FOR HIRE" UNDER COPYRIGHT LAW; (D) PROTECTED BY TRADE SECRET LAWS WHICH MAKE ILLEGAL THE MISAPPROPRIATION OF THIS INFORMATION; AND (E) IS TO BE USED SOLELY FOR THE PURPOSE WHICH IT IS SUPPLIED. THIS INFORMATION SHALL NOT BE DISCLOSED IN WHOLE OR IN PART, TO ANY PARTY, FOR ANY REASON WITHOUT THE EXPRESS WRITTEN CONSENT OF A QUALIFIED EXECUTIVE OF FLORIDA RF LABS INC.			SCALE	CAGE CODE ID NO.	SIZE	DRAWING NO.:	REV.
							5/1	2Y194	A	83-3995-*	A
REV.	DESCRIPTION	DRAWN	APVD.				MFG:	CHKD.: DR 04/04/02	DRAWN: PSC 04/03/02	SHEET	OF