

EDD

NOTES:
UNLESS OTHERWISE SPECIFIED, TOLERANCES ARE $\pm .010$ " [.254mm].

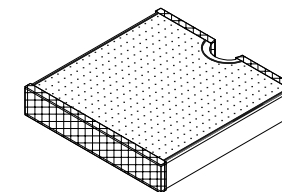
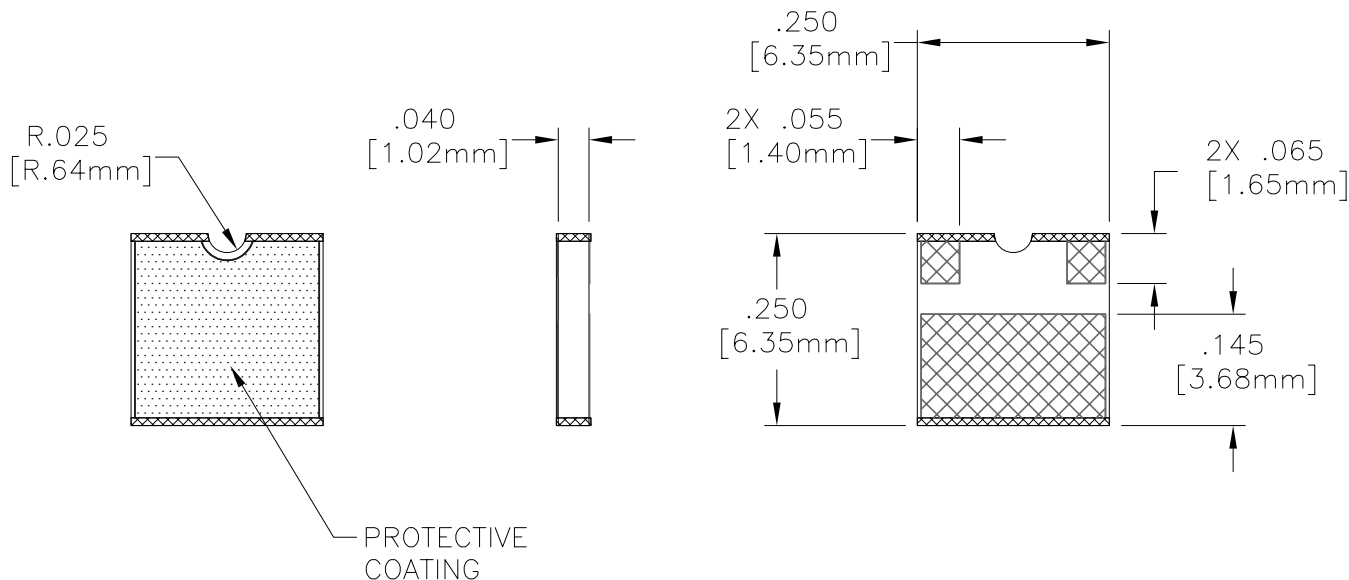
CAD#83-3999C

DRAWING NO.:


83-3999-*

REV.

C



MATERIALS:
SUBSTRATE: BERYLLIUM OXIDE
FINISH:
SOLDERABLE TERMINALS:
TIN/LEAD OVER NICKEL
RESISTIVE FILM: NICHROME
TECHNICAL:
FREQUENCY: DC-3.0 GHz
VSWR (MAX): 1.50:1
AVERAGE POWER: 10 WATTS
*ATTENUATION:
1-10 dB \pm 0.5 dB
11-20 dB \pm 1.0 dB

				RLSE# 02433	APVD MTG	DATE 08/11/98	REFERENCE		8851 OLD KANSAS AVE. STUART, FL. 34997 561-286-9300		
				UNLESS OTHERWISE SPECIFIED			CATALOG				
				1. DO NOT SCALE DRAWING 2. DIMENSIONS ARE IN INCHES 3. DIMENSIONS ARE AFTER PLATING 4. CORNERS, EDGES AND FILLETS: R MAX 5. SURFACE ROUGHNESS: 6. REMOVE ALL BURRS			MATERIAL	-	TITLE		
				TOLERANCES			FINISH	-	CHIP, ATTENUATOR, 10 WATT		
				.X \pm							
				.XX \pm	ANGLES X° \pm						
				.XXX \pm							
C	ECN#00725	BLP 08/08/01		THE INFORMATION CONTAINED HEREIN IS: (A) CONSIDERED PROPRIETARY TO FLORIDA RF LABS INC.; (B) PROTECTED BY COPYRIGHT OWNED BY FLORIDA RF LABS INC.; (C) CONSIDERED A "WORK FOR HIRE" UNDER COPYRIGHT LAW; (D) PROTECTED BY TRADE SECRET LAWS WHICH MAKE ILLEGAL THE MISAPPROPRIATION OF THIS INFORMATION; AND (E) IS TO BE USED SOLELY FOR THE PURPOSE WHICH IT IS SUPPLIED. THIS INFORMATION SHALL NOT BE DISCLOSED IN WHOLE OR IN PART, TO ANY PARTY, FOR ANY REASON WITHOUT THE EXPRESS WRITTEN CONSENT OF A QUALIFIED EXECUTIVE OF FLORIDA RF LABS INC.			SCALE	CAGE CODE ID NO.	SIZE	DRAWING NO.:	REV.
B	N/A	-	-				4/1	2Y194	A	83-3999-*	C
A	DCN#0835	BLP 08/31/98	MTG 09/02/98	MFG:	MJK 08/10/98	CHKD.:	NAK 07/08/98	DRAWN:	BLP 07/01/98	SHEET 1 OF 2	

ORIGINAL

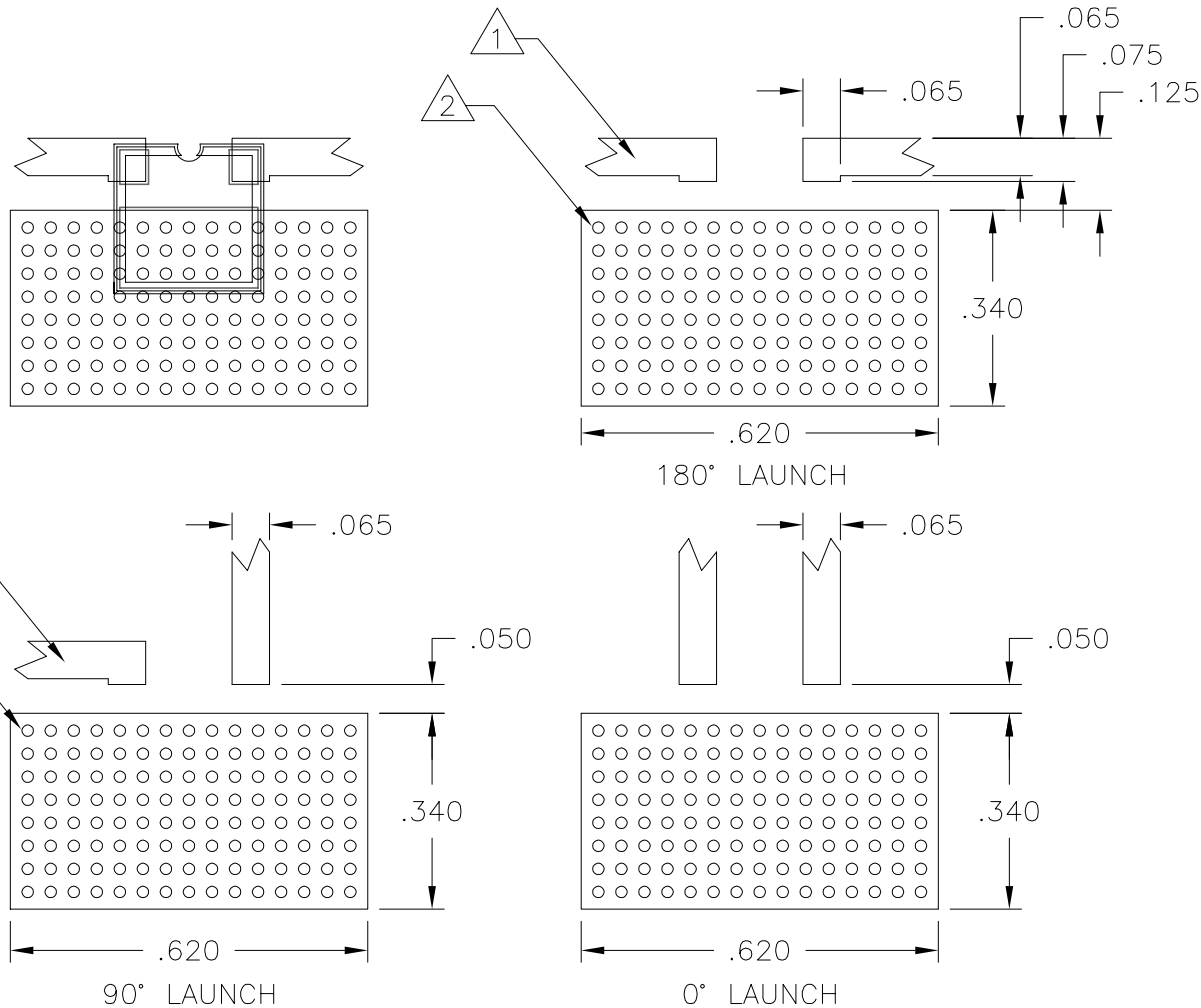
CAD#83-3999C

DRAWING NO.:

83-3999-*

REV.

C



NOTES:

- 1. MICROSTRIP TRANSMISSION LINE WIDTHS SHOWN FOR DIELECTRIC CONSTANT 3.5 AND .030" THICK.
- 2. .01 TO .04 DIAMETER SOLDER FILLED VIA HOLES FOR GROUNDING AND HEAT TRANSFER. VIA HOLES SHOULD OCCUPY AT LEAST 15% OF GROUND PAD AREA.

THE INFORMATION CONTAINED HEREIN IS: (A) CONSIDERED PROPRIETARY TO FLORIDA RF LABS INC.; (B) PROTECTED BY COPYRIGHT OWNED BY FLORIDA RF LABS INC.; (C) CONSIDERED A "WORK FOR HIRE" UNDER COPYRIGHT LAW; (D) PROTECTED BY TRADE SECRET LAWS WHICH MAKE ILLEGAL THE MISAPPROPRIATION OF THIS INFORMATION; AND (E) IS TO BE USED SOLELY FOR THE PURPOSE WHICH IT IS SUPPLIED. THIS INFORMATION SHALL NOT BE DISCLOSED IN WHOLE OR IN PART, TO ANY PARTY, FOR ANY REASON WITHOUT THE EXPRESS WRITTEN CONSENT OF A QUALIFIED EXECUTIVE OF FLORIDA RF LABS INC.



8851 OLD KANSAS AVE.
STUART, FL. 34997
561-286-9300

SCALE	CAGE CODE ID NO.	SIZE	DRAWING NO.:	REV.
-	2Y194	A	83-3999-*	C
MFG: -	CHKD.: -	DRAWN: -	SHEET 2 OF 2	