

EDD

NOTES:
UNLESS OTHERWISE SPECIFIED, TOLERANCES ARE ± .010" [.254mm].

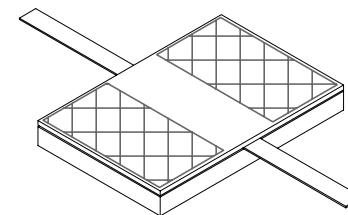
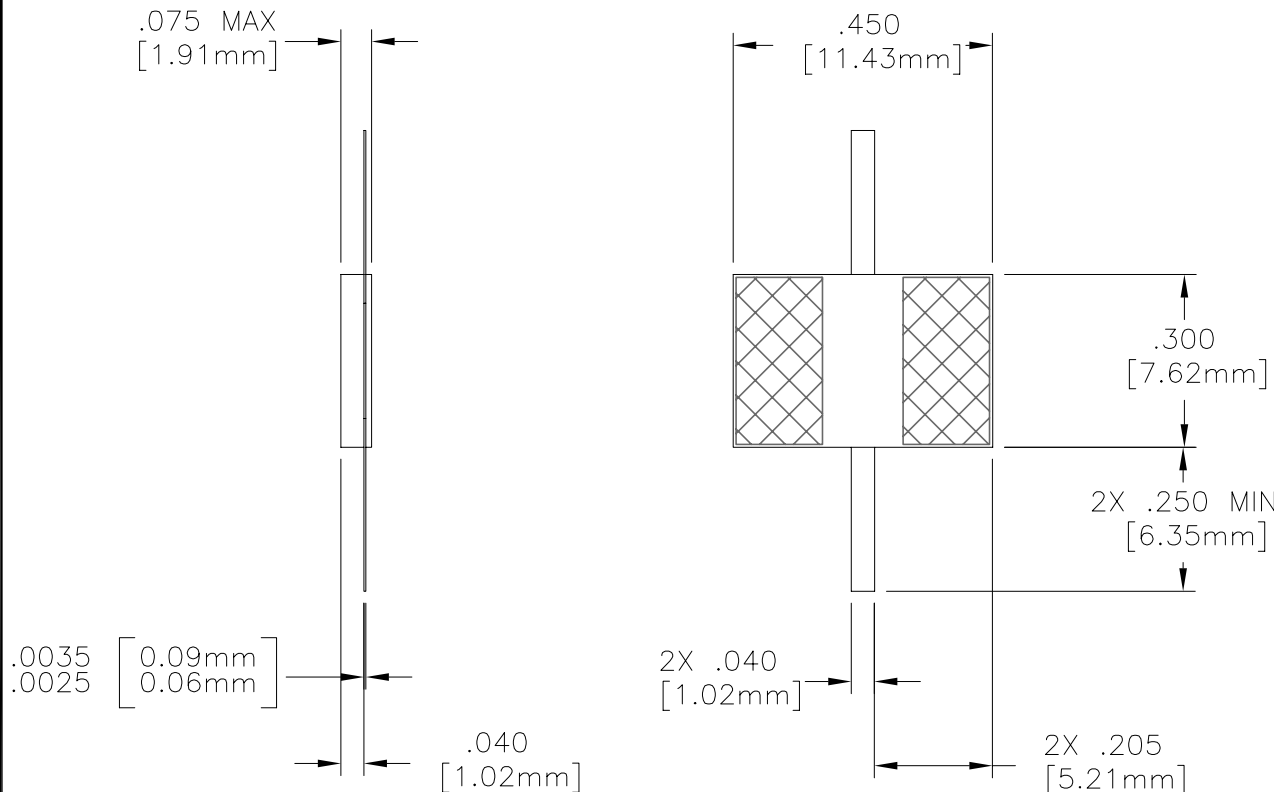
CAD#83-7008TC

DRAWING NO.:

83-7008TC-*

REV.

N/C




MATERIALS:

SUBSTRATE: ALUMINUM NITRIDE
COVER: ALUMINA
TAB: BERYLLIUM COPPER
RESISTIVE FILM: NICRHOME

FINISH:

GROUND PLANE: TIN/LEAD OVER NICKEL
TAB: TIN PLATED PER MIL-T-10727

				ECN# 01050	APVD	DATE	REFERENCE	 8851 OLD KANSAS AVE. STUART, FL. 34997 561-286-9300			
				UNLESS OTHERWISE SPECIFIED 1. DO NOT SCALE DRAWING 2. DIMENSIONS ARE IN INCHES 3. DIMENSIONS ARE AFTER PLATING 4. CORNERS, EDGES AND FILLETS: R MAX 5. SURFACE ROUGHNESS: 6. REMOVE ALL BURRS			ALCATEL USA SAN JOSE, CA SK2305-01 & SK2306-01				
				TOLERANCES .X ± .XX ± .XXX ±			MATERIAL	TITLE			
				ANGLES X° ±			FINISH	CHIP, ATTENUATOR 150 WATT, -*=dB			
				THE INFORMATION CONTAINED HEREIN IS: (A) CONSIDERED PROPRIETARY TO FLORIDA RF LABS INC.; (B) PROTECTED BY COPYRIGHT OWNED BY FLORIDA RF LABS INC.; (C) CONSIDERED A "WORK FOR HIRE" UNDER COPYRIGHT LAW; (D) PROTECTED BY TRADE SECRET LAWS WHICH MAKE ILLEGAL THE MISAPPROPRIATION OF THIS INFORMATION; AND (E) IS TO BE USED SOLELY FOR THE PURPOSE WHICH IT IS SUPPLIED. THIS INFORMATION SHALL NOT BE DISCLOSED IN WHOLE OR IN PART, TO ANY PARTY, FOR ANY REASON WITHOUT THE EXPRESS WRITTEN CONSENT OF A QUALIFIED EXECUTIVE OF FLORIDA RF LABS INC.			SCALE	CAGE CODE ID NO.	SIZE	DRAWING NO.:	REV.
									3/1	2Y194	A
REV.	DESCRIPTION	DRAWN	APVD.				MFG:	CHKD.:	DRAWN: PSC 10/23/01	SHEET 1 OF 2	

EDD

CAD#83-7008TC		DRAWING NO. 83-7008TC-*		REV N/C	
REQUIREMENTS	RATING	REQUIREMENTS	RATING		
NOMINAL IMPEDANCE (OHMS)	50	VIBRATION	MIL-STD-202 METHOD 204 COND. D (20 G's)		
FREQUENCY RANGE (GHz)	DC - 3.0 GHz				
OPERATING TEMPERATURE (°C)	-55 TO +125	SHOCK	MIL-STD-202 METHOD 213 COND. I (100 G's)		
VSWR	1.15:1 0.5-1.0 GHz 1.25:1 1.0-2.0 GHz 1.30:1 2.0-3.0 GHz				
*ATTENUATION ACCURACY	20.00-30.00dB ± 1.0dB	THERMAL SHOCK	MIL-STD-202 METHOD 107 COND. B (-65 TO +125 °C)		
ATTENUATION STABILITY	.0001 dB/dB/°C				
INPUT POWER (WATTS)	150	TERMINAL STRENGTH	MIL-STD-202 METHOD 211 COND. A		
		MOISTURE RESISTANCE	MIL-STD-202 METHOD 106 LESS STEP 7B		
<p>AVERAGE POWER DERATING</p> <p>% OF RATED PWR</p> <p>CASE TEMPERATURE IN °C</p>		SOLDERABILITY	MIL-STD-202 METHOD 208		
				RESISTANCE TO SOLDER HEAT	MIL-STD-202 METHOD 210
TITLE CHIP, ATTENUATOR 150 WATT, -* = dB		8851 OLD KANSAS AVE. STUART, FL. 34997 561-286-9300	DRAWN -	DRAWING NO. 83-7008TC-*	REV N/C
			SHEET 2 OF 2		