

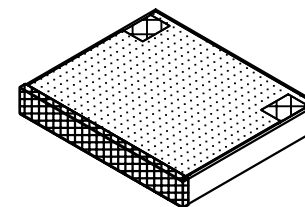
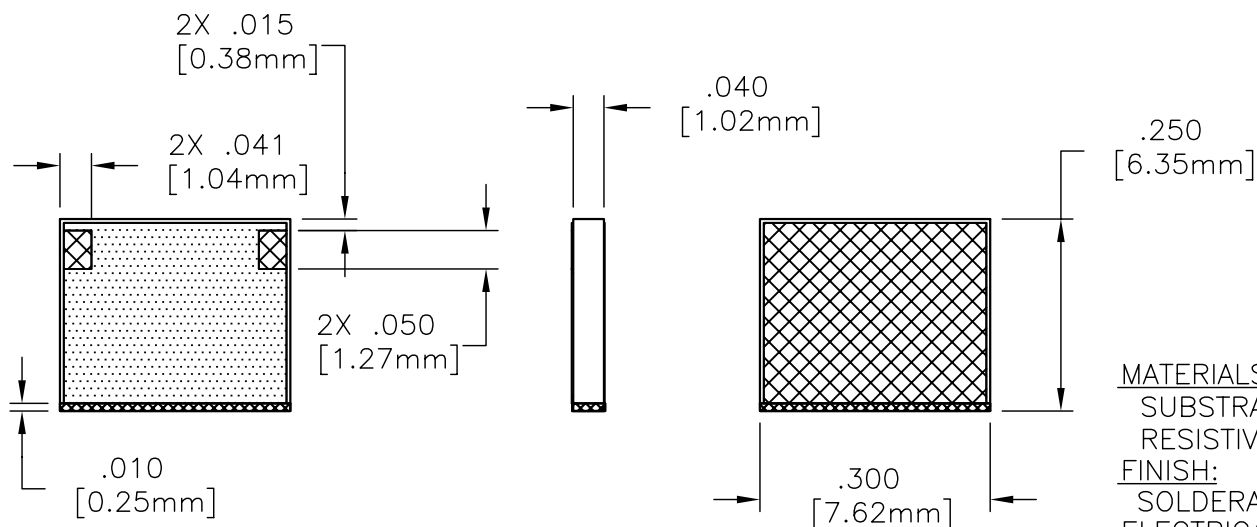
EDD

NOTES:
1. UNLESS OTHERWISE SPECIFIED, TOLERANCES ARE $\pm .010$ " [.254mm].

CAD#83-7012-30.00

DRAWING NO.:
83-7012-30.00

REV.
N/C



MATERIALS:

SUBSTRATE: ALUMINUM NITRIDE (AlN)
RESISTIVE FILM: NICHROME

FINISH:

SOLDERABLE TERMINALS: TIN/LEAD OVER NICKEL
ELECTRICAL: (ATTENUATOR)

NOMINAL IMPEDANCE: 50 OHMS

FREQUENCY RANGE: 1.8-2.4 GHz

VSWR (MAX): 1.25:1


INPUT POWER: 75 WATTS

ATTENUATION STABILITY: .0001 dB/dB/°C

ATTENUATION ACCURACY: 30.0 dB \pm 1.5 dB

TEMPERATURE COEFFICIENT: \pm 200 PPM MAX

OPERATING TEMP.: -55° TO +150° (°C)

				EN# 04-F0164	APVD	DATE	REFERENCE	 8851 OLD KANSAS AVE. STUART, FL. 34997 772-286-9300		
				UNLESS OTHERWISE SPECIFIED 1. DO NOT SCALE DRAWING 2. DIMENSIONS ARE IN INCHES 3. DIMENSIONS ARE AFTER PLATING 4. CORNERS, EDGES AND FILLETS: R MAX 5. SURFACE ROUGHNESS: 63 6. REMOVE ALL BURRS			CATALOG	TITLE		
				TOLERANCES .X \pm .XX \pm .XXX \pm ANGLES X° \pm X°			MATERIAL	CHIP, ATTENUATOR, 75 WATT, 30.00dB		
				THE INFORMATION CONTAINED HEREIN IS: (A) CONSIDERED PROPRIETARY TO FLORIDA RF LABS INC.; (B) PROTECTED BY COPYRIGHT OWNED BY FLORIDA RF LABS INC.; (C) CONSIDERED A "WORK FOR HIRE" UNDER COPYRIGHT LAW; (D) PROTECTED BY TRADE SECRET LAWS WHICH MAKE ILLEGAL THE MISAPPROPRIATION OF THIS INFORMATION; AND (E) IS TO BE USED SOLELY FOR THE PURPOSE WHICH IT IS SUPPLIED. THIS INFORMATION SHALL NOT BE DISCLOSED IN WHOLE OR IN PART, TO ANY PARTY, FOR ANY REASON WITHOUT THE EXPRESS WRITTEN CONSENT OF A QUALIFIED EXECUTIVE OF FLORIDA RF LABS INC.			FINISH			
REV.	DESCRIPTION	DRAWN	APVD.	SCALE	CAGE CODE ID NO.	SIZE	DRAWING NO.:	REV.		
				4/1	2Y194	A	83-7012-30.00	N/C		
				MFG:	CHKD.:		DRAWN: JAD 04/30/04	SHEET	OF	