

EDD

NOTES:
UNLESS OTHERWISE SPECIFIED, TOLERANCES ARE $\pm .010$ " [.254mm].

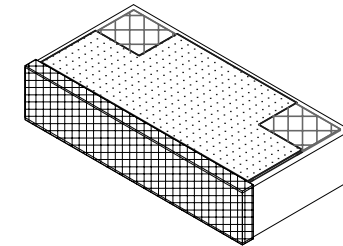
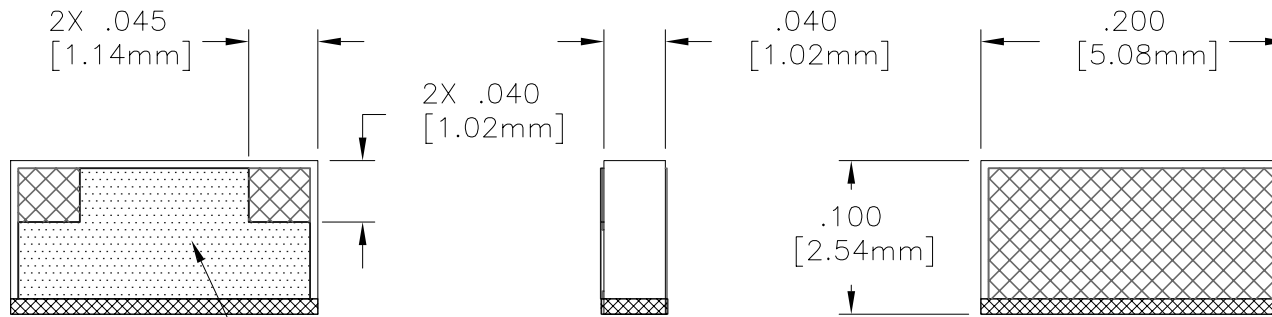
CAD#83-7014

DRAWING NO.:

83-7014-*


REV.

N/C



MATERIALS:

SUBSTRATE: ALUMINUM NITRIDE
RESISTIVE FILM: NICHROME

				ECN# 00891	APVD	DATE	REFERENCE	 8851 OLD KANSAS AVE. STUART, FL. 34997 561-286-9300			
UNLESS OTHERWISE SPECIFIED 1. DO NOT SCALE DRAWING 2. DIMENSIONS ARE IN INCHES 3. DIMENSIONS ARE AFTER PLATING 4. CORNERS, EDGES AND FILLETS: R MAX 5. SURFACE ROUGHNESS: 6. REMOVE ALL BURRS							MATERIAL		TITLE		
TOLERANCES .X \pm .XX \pm .XXX \pm ANGLES X° \pm							FINISH	CHIP, ATTENUATOR, 10 WATT, -* = dB			
THE INFORMATION CONTAINED HEREIN IS: (A) CONSIDERED PROPRIETARY TO FLORIDA RF LABS INC.; (B) PROTECTED BY COPYRIGHT OWNED BY FLORIDA RF LABS INC.; (C) CONSIDERED A "WORK FOR HIRE" UNDER COPYRIGHT LAW; (D) PROTECTED BY TRADE SECRET LAWS WHICH MAKE ILLEGAL THE MISAPPROPRIATION OF THIS INFORMATION; AND (E) IS TO BE USED SOLELY FOR THE PURPOSE WHICH IT IS SUPPLIED. THIS INFORMATION SHALL NOT BE DISCLOSED IN WHOLE OR IN PART, TO ANY PARTY, FOR ANY REASON WITHOUT THE EXPRESS WRITTEN CONSENT OF A QUALIFIED EXECUTIVE OF FLORIDA RF LABS INC.							SCALE	CAGE CODE ID NO.	SIZE	DRAWING NO.:	REV.
							8/1	2Y194	A	83-7014-*	N/C
REV.	DESCRIPTION	DRAWN	APVD.				MFG:	CHKD.:	DRAWN: BLP	08/14/01	SHEET 1 OF 2

EDD

CAD#83-7014		DRAWING NO. 83-7014-*	REV N/C		
REQUIREMENTS	RATING	REQUIREMENTS	RATING		
NOMINAL IMPEDANCE (OHMS)	50	VIBRATION	MIL-STD-202 METHOD 204 COND. D (20 G's)		
FREQUENCY RANGE (GHz)	DC-2.0				
OPERATING TEMPERATURE (°C)	-55° TO +150°	SHOCK	MIL-STD-202 METHOD 213 COND. I (100 G's)		
VSWR	1.35:1				
ATTENUATION ACCURACY	± 1.5 dB	THERMAL SHOCK	MIL-STD-202 METHOD 107 COND. B (-65 TO +125 °C)		
ATTENUATION STABILITY	.0001 dB/dB/°C				
INPUT POWER (WATTS)	10	TERMINAL STRENGTH	MIL-STD-202 METHOD 211 COND. A		
*ATTENUATION	20-30 dB ± 1.5 dB				
		MOISTURE RESISTANCE	MIL-STD-202 METHOD 106 LESS STEP 7B		
<p style="text-align: center;">AVERAGE POWER DERATING</p> <p style="text-align: center;">CASE TEMPERATURE IN °C</p>		SOLDERABILITY	MIL-STD-202 METHOD 208		
		RESISTANCE TO SOLDER HEAT	MIL-STD-202 METHOD 210		
TITLE CHIP, ATTENUATOR, 10 WATT		8851 OLD KANSAS AVE. STUART, FL. 34997 561-286-9300	DRAWN - SHEET 2 OF 2	DRAWING NO. 83-7014-*	REV N/C