

EDD

CAD#83-7017TC#_E

DRAWING NO.:

83-7017TC-*

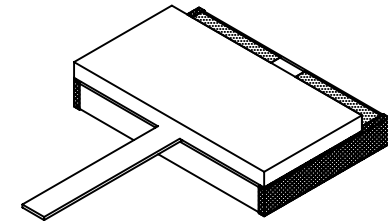
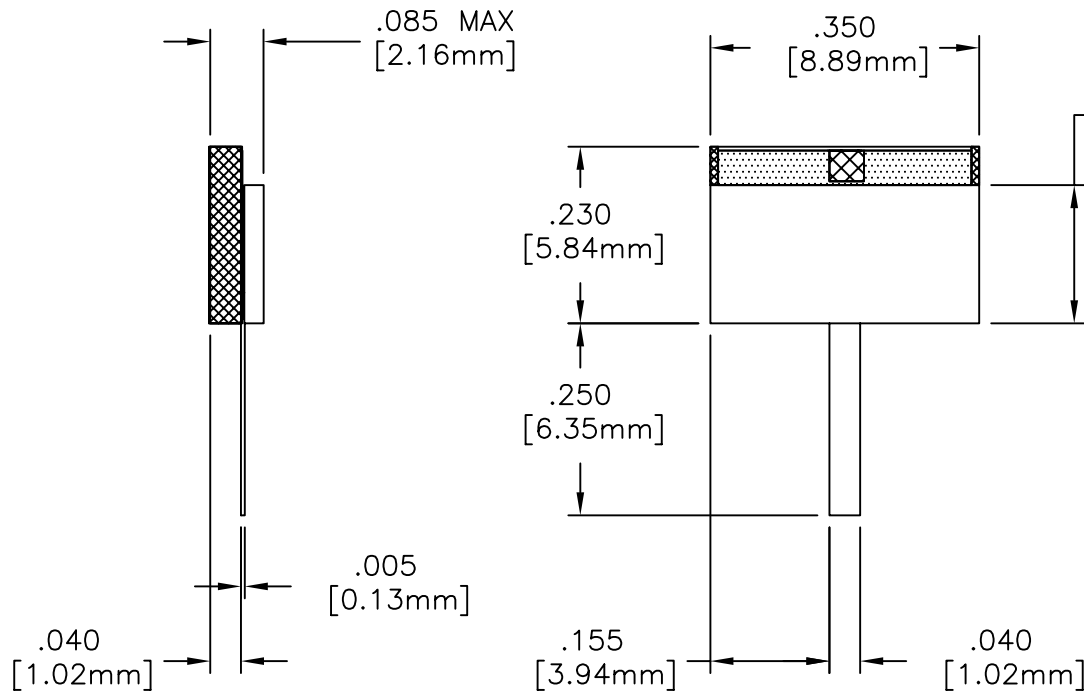
REV.

E

NOTES:

UNLESS OTHERWISE SPECIFIED, TOLERANCES ARE $\pm .010$ " [.254mm].

*DC RESISTANCE MEASURED WHEN TERMINATED WITH 50 OHMS TERMINATION.



MATERIALS:

SUBSTRATE: ALUMINUM NITRIDE

COVER: ALUMINA

TAB: BERYLLIUM COPPER PER ASTM B194

RESISTIVE FILM: NICHROME

FINISH:

SOLDERABLE TERMINALS: TIN/LEAD PER MIL-P-81728

TAB: TIN/LEAD PER MIL-T-10727

TECHNICAL:

*DC RESISTANCE (OHMS): $50 \pm 5\%$

NOMINAL IMPEDANCE (OHMS): 50

FREQUENCY RANGE (GHz): .800-2.2


VSWR (MAX): 1.20

INPUT POWER (WATTS): 100

ATTENUATION STABILITY: .0001/dB/dB/°C

ATTENUATION ACCURACY: ± 1.5 dB

OPERATING TEMP. (°C): -55° TO +150°

				ECN# 01135	APVD OA	DATE 03/29/02	REFERENCE	 8851 OLD KANSAS AVE. STUART, FL. 34997 772-286-9300			
				UNLESS OTHERWISE SPECIFIED			MATERIAL				
				1. DO NOT SCALE DRAWING 2. DIMENSIONS ARE IN INCHES 3. DIMENSIONS ARE AFTER PLATING 4. CORNERS, EDGES AND FILLETS: R 5. SURFACE ROUGHNESS: 6. REMOVE ALL BURRS			FINISH				
				TOLERANCES			TITLE				
E	EN# 04-F0464	JG 11/24/04		ANGLES X° ±				CHIP, ATTENUATOR, 100 WATT, -* = dB			
D	EN#04-F0094	ALM 03/10/04	DR 3/16/04	.X ±							
C	ECN#01995	ALM 04/01/03	DR 04/04/03	.XX ±							
B	ECN#01785	ALM 11/27/02	DR 02/12/03	.XXX ±							
A	ECN#01449	BLP 05/16/02	DR 05/17/02	THE INFORMATION CONTAINED HEREIN IS: (A) CONSIDERED PROPRIETARY TO FLORIDA RF LABS INC.; (B) PROTECTED BY COPYRIGHT OWNED BY FLORIDA RF LABS INC.; (C) CONSIDERED A "WORK FOR HIRE" UNDER COPYRIGHT LAW; (D) PROTECTED BY TRADE SECRET LAWS WHICH MAKE ILLEGAL THE MISAPPROPRIATION OF THIS INFORMATION; AND (E) IS TO BE USED SOLELY FOR THE PURPOSE WHICH IT IS SUPPLIED. THIS INFORMATION SHALL NOT BE DISCLOSED IN WHOLE OR IN PART, TO ANY PARTY, FOR ANY REASON WITHOUT THE EXPRESS WRITTEN CONSENT OF A QUALIFIED EXECUTIVE OF FLORIDA RF LABS INC.			SCALE 4/1		CAGE CODE ID NO. 2Y194	SIZE A	DRAWING NO.:
REV.	DESCRIPTION	DRAWN	APVD.				MFG: MJK 04/17/02	CHKD.: DR 03/07/02	DRAWN: BLP 12/05/01	SHEET OF	