

# EDD

NOTES:  
UNLESS OTHERWISE SPECIFIED, TOLERANCES ARE  $\pm .010$ " [.254mm].

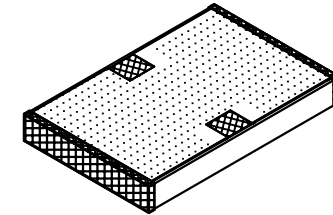
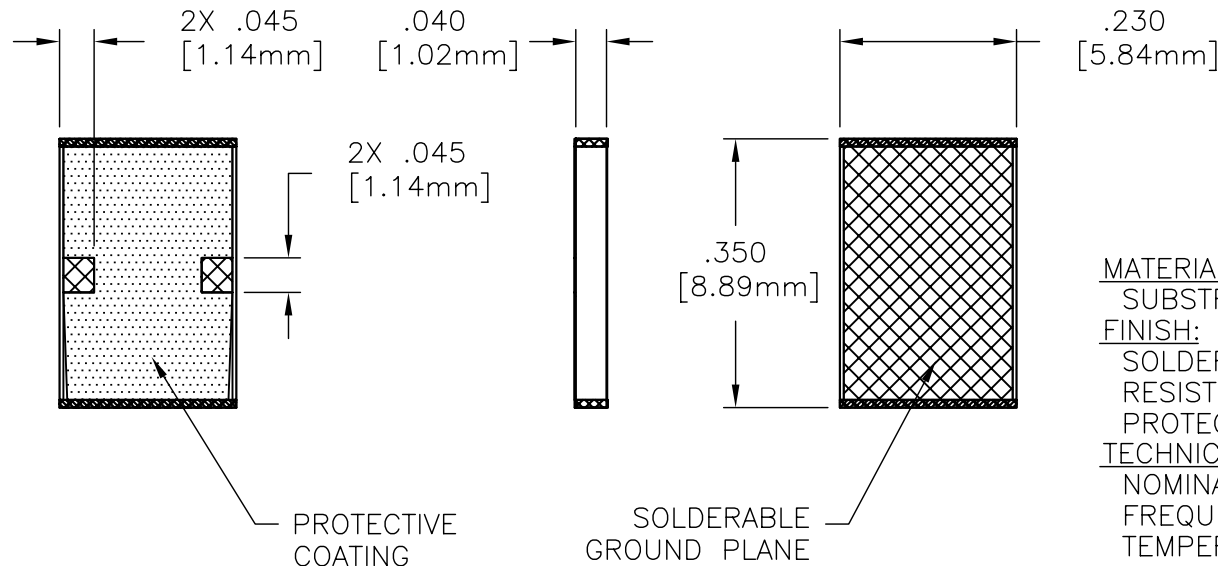
CAD#83-7026#\_B

DRAWING NO.:

83-7026-\*

REV.

B



MATERIALS:

SUBSTRATE: ALUMINUM NITRIDE

FINISH:

SOLDERABLE TERMINALS: PLATED TIN/LEAD

RESISTIVE FILM: NICHROME

PROTECTIVE COATING: POLYMER

TECHNICAL:

NOMINAL IMPEDANCE (OHMS): 50

FREQUENCY RANGE (GHz): DC-2.4

TEMPERATURE COEFFICIENT:  $\pm 200$  PPM/ $^{\circ}$ C MAX


OPERATING TEMP. ( $^{\circ}$ C):  $-55^{\circ}$  TO  $+150^{\circ}$

VSWR (MAX): 1.20

INPUT POWER (WATTS): 120 @  $85^{\circ}$  C

ATTENUATION STABILITY: .0001 dB/dB/ $^{\circ}$ C

ATTENUATION ACCURACY:  $\pm 1.5$  dB

				ECN# 01532	APVD	DATE	REFERENCE	 8851 OLD KANSAS AVE. STUART, FL. 34997 772-286-9300			
				UNLESS OTHERWISE SPECIFIED				TITLE <b>CHIP, ATTENUATOR, 120 WATT, -* = dB</b>			
				1. DO NOT SCALE DRAWING 2. DIMENSIONS ARE IN INCHES 3. DIMENSIONS ARE AFTER PLATING 4. CORNERS, EDGES AND FILLETS: R    MAX 5. SURFACE ROUGHNESS: 6. REMOVE ALL BURRS			MATERIAL			-	
				TOLERANCES			FINISH			-	
				.X $\pm$							
				.XX $\pm$							
				.XXX $\pm$							
				ANGLES X' $\pm$							
B	ECN#01995	ALM 04/01/03		THE INFORMATION CONTAINED HEREIN IS: (A) CONSIDERED PROPRIETARY TO FLORIDA RF LABS INC.; (B) PROTECTED BY COPYRIGHT OWNED BY FLORIDA RF LABS INC.; (C) CONSIDERED A "WORK FOR HIRE" UNDER COPYRIGHT LAW; (D) PROTECTED BY TRADE SECRET LAWS WHICH MAKE ILLEGAL THE MISAPPROPRIATION OF THIS INFORMATION; AND (E) IS TO BE USED SOLELY FOR THE PURPOSE WHICH IT IS SUPPLIED. THIS INFORMATION SHALL NOT BE DISCLOSED IN WHOLE OR IN PART, TO ANY PARTY, FOR ANY REASON WITHOUT THE EXPRESS WRITTEN CONSENT OF A QUALIFIED EXECUTIVE OF FLORIDA RF LABS INC.			SCALE	CAGE CODE ID NO.	SIZE	DRAWING NO.:	REV.
A	ECN#01785	ALM 11/27/02	DR 02/12/03				4/1	2Y194	A	83-7026-*	B
REV.	DESCRIPTION	DRAWN	APVD.	MFG:	MJK 07/10/02	CHKD.:	DR 07/10/02	DRAWN:	BLP 07/03/02	SHEET	OF