

EDD

NOTES:
UNLESS OTHERWISE SPECIFIED, TOLERANCES ARE $\pm .010$ " [.254mm].

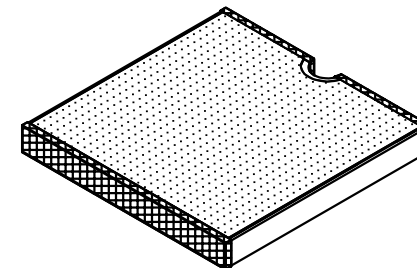
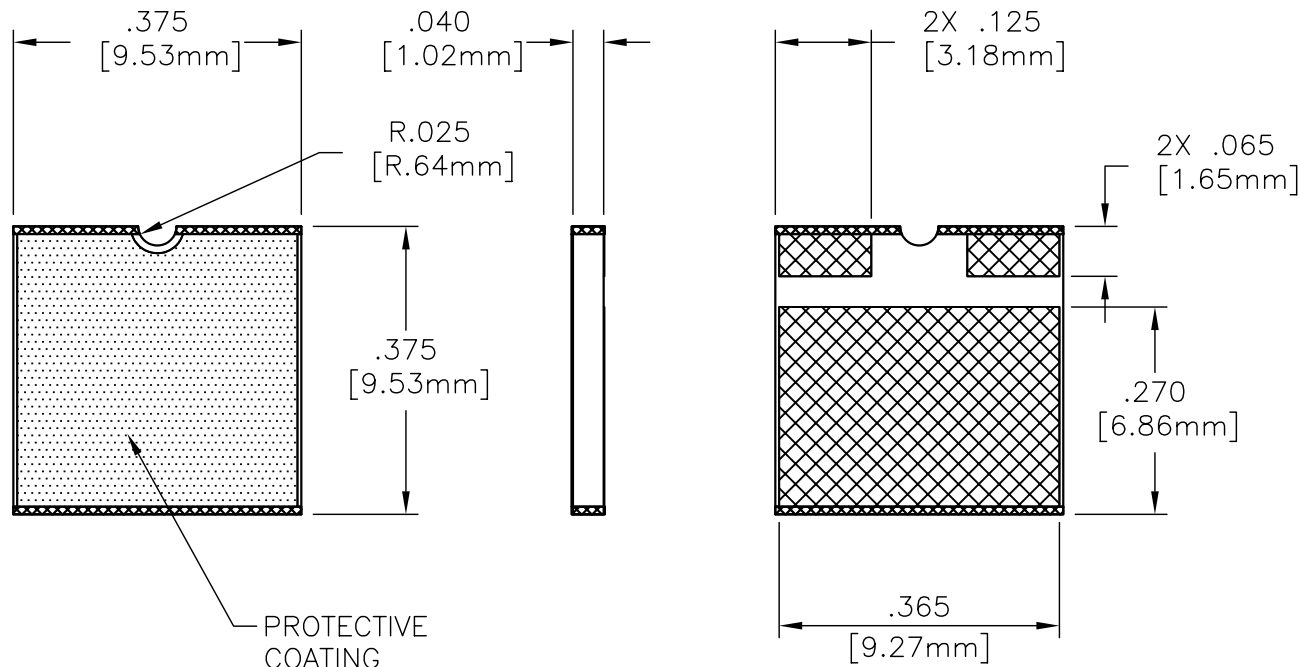
CAD#83-7027#

DRAWING NO.:


83-7027-*

REV.

N/C



MATERIALS:
SUBSTRATE: ALUMINUM NITRIDE
FINISH:
SOLDERABLE TERMINALS:
TIN/LEAD OVER NICKEL
RESISTIVE FILM: NICHROME
TECHNICAL:
FREQUENCY: DC-2.0 GHz
VSWR (MAX): 1.40:1
AVERAGE POWER: 20 WATTS
*ATTENUATION:
1-10 dB \pm 0.5 dB
11-20 dB \pm 1.0 dB

				ECN# 01536	APVD -	DATE -	REFERENCE	 8851 OLD KANSAS AVE. STUART, FL. 34997 772-286-9300			
UNLESS OTHERWISE SPECIFIED 1. DO NOT SCALE DRAWING 2. DIMENSIONS ARE IN INCHES 3. DIMENSIONS ARE AFTER PLATING 4. CORNERS, EDGES AND FILLETS: R MAX 5. SURFACE ROUGHNESS: 6. REMOVE ALL BURRS							CATALOG	TITLE CHIP, ATTENUATOR, 20 WATT			
TOLERANCES .X \pm .XX \pm .XXX \pm ANGLES X° \pm							MATERIAL -			FINISH -	
THE INFORMATION CONTAINED HEREIN IS: (A) CONSIDERED PROPRIETARY TO FLORIDA RF LABS INC.; (B) PROTECTED BY COPYRIGHT OWNED BY FLORIDA RF LABS INC.; (C) CONSIDERED A "WORK FOR HIRE" UNDER COPYRIGHT LAW; (D) PROTECTED BY TRADE SECRET LAWS WHICH MAKE ILLEGAL THE MISAPPROPRIATION OF THIS INFORMATION; AND (E) IS TO BE USED SOLELY FOR THE PURPOSE WHICH IT IS SUPPLIED. THIS INFORMATION SHALL NOT BE DISCLOSED IN WHOLE OR IN PART, TO ANY PARTY, FOR ANY REASON WITHOUT THE EXPRESS WRITTEN CONSENT OF A QUALIFIED EXECUTIVE OF FLORIDA RF LABS INC.							SCALE 4/1	CAGE CODE ID NO. 2Y194	SIZE A	DRAWING NO.:	REV.
REV.	DESCRIPTION	DRAWN	APVD.				MFG:	CHKD.:	DRAWN: ALM 12/05/02	SHEET OF	
								83-7027-*	N/C		

ORIGINAL

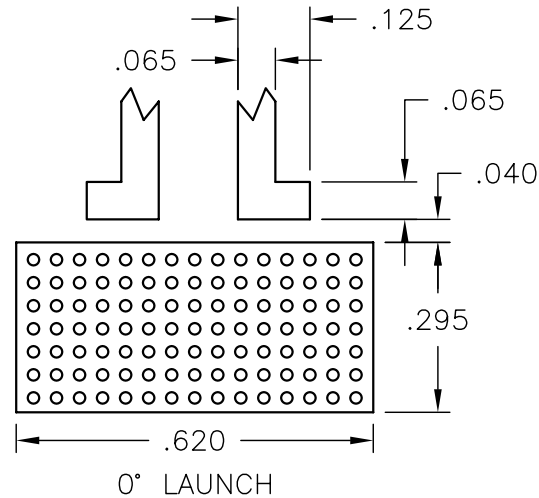
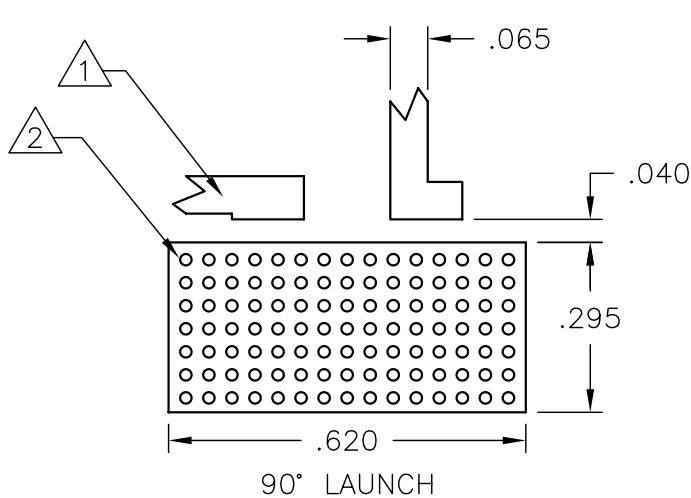
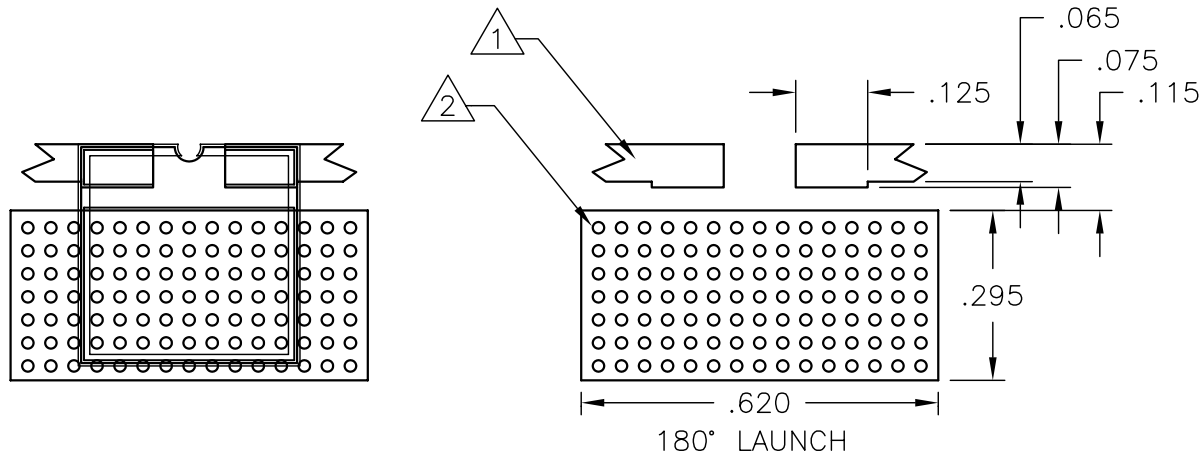
CAD#83-7027#

DRAWING NO.:

83-7027-*

REV.

N/C



NOTES:

- 1. MICROSTRIP TRANSMISSION LINE WIDTHS SHOWN FOR DIELECTRIC CONSTANT 3.5 AND .030" THICK.
- 2. .01 TO .04 DIAMETER SOLDER FILLED VIA HOLES FOR GROUNDING AND HEAT TRANSFER. VIA HOLES SHOULD OCCUPY AT LEAST 15% OF GROUND PAD AREA.

THE INFORMATION CONTAINED HEREIN IS: (A) CONSIDERED PROPRIETARY TO FLORIDA RF LABS INC.; (B) PROTECTED BY COPYRIGHT OWNED BY FLORIDA RF LABS INC.; (C) CONSIDERED A "WORK FOR HIRE" UNDER COPYRIGHT LAW; (D) PROTECTED BY TRADE SECRET LAWS WHICH MAKE ILLEGAL THE MISAPPROPRIATION OF THIS INFORMATION; AND (E) IS TO BE USED SOLELY FOR THE PURPOSE WHICH IT IS SUPPLIED. THIS INFORMATION SHALL NOT BE DISCLOSED IN WHOLE OR IN PART, TO ANY PARTY, FOR ANY REASON WITHOUT THE EXPRESS WRITTEN CONSENT OF A QUALIFIED EXECUTIVE OF FLORIDA RF LABS INC.



8851 OLD KANSAS AVE.
STUART, FL. 34997
772-286-9300

SCALE	CAGE CODE ID NO.	SIZE	DRAWING NO.:	REV.
-	2Y194	A	83-7027-*	N/C
MFG:	CHKD.:	DRAWN:	SHEET 2 OF 2	
-	-	-		