

# EDD

NOTES:  
UNLESS OTHERWISE SPECIFIED, TOLERANCES ARE  $\pm .010$ " [.254mm].

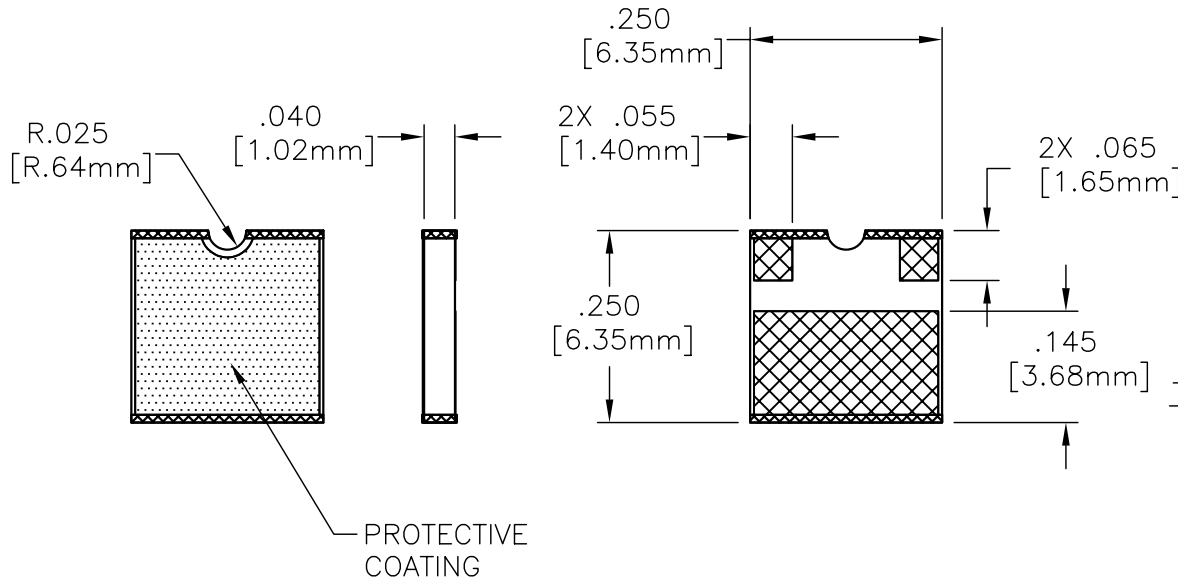
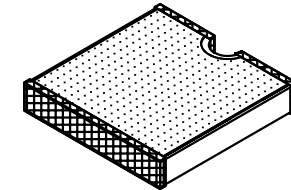
CAD#83-7999

DRAWING NO.:

83-7999-\*

REV.

N/C



**MATERIALS:**

SUBSTRATE: ALUMINUM NITRIDE

**FINISH:**

SOLDERABLE TERMINALS:  
TIN/LEAD OVER NICKEL

RESISTIVE FILM: NICHROME

**TECHNICAL: (ATTENUATOR)**

NOMINAL IMPEDANCE (OHMS): 50

FREQUENCY RANGE: DC-3.0 GHz

TEMPERATURE COEFFICIENT:  $\pm 200$  PPM MAX

OPERATING TEMP. ( $^{\circ}$ C):  $-55^{\circ}$  TO  $+150^{\circ}$


VSWR (MAX): 1.50:1

INPUT POWER (WATTS): 10 WATTS

ATTENUATION STABILITY: .0001 dB/dB/ $^{\circ}$ C

ATTENUATION ACCURACY: 1-10 dB  $\pm 0.5$  dB

11-20 dB  $\pm 1.0$  dB

				RLSE# 01637	APVD	DATE	REFERENCE	 8851 OLD KANSAS AVE. STUART, FL. 34997 772-286-9300		
UNLESS OTHERWISE SPECIFIED 1. DO NOT SCALE DRAWING 2. DIMENSIONS ARE IN INCHES 3. DIMENSIONS ARE AFTER PLATING 4. CORNERS, EDGES AND FILLETS: R MAX 5. SURFACE ROUGHNESS: 6. REMOVE ALL BURRS							CATALOG	<b>TITLE</b> <b>CHIP,</b> <b>ATTENUATOR,</b> <b>10 WATT</b>		
TOLERANCES .X $\pm$ .XX $\pm$ .XXX $\pm$ ANGLES X $^{\circ}$ $\pm$							MATERIAL			-
THE INFORMATION CONTAINED HEREIN IS: (A) CONSIDERED PROPRIETARY TO FLORIDA RF LABS INC.; (B) PROTECTED BY COPYRIGHT OWNED BY FLORIDA RF LABS INC.; (C) CONSIDERED A "WORK FOR HIRE" UNDER COPYRIGHT LAW; (D) PROTECTED BY TRADE SECRET LAWS WHICH MAKE ILLEGAL THE MISAPPROPRIATION OF THIS INFORMATION; AND (E) IS TO BE USED SOLELY FOR THE PURPOSE WHICH IT IS SUPPLIED. THIS INFORMATION SHALL NOT BE DISCLOSED IN WHOLE OR IN PART, TO ANY PARTY, FOR ANY REASON WITHOUT THE EXPRESS WRITTEN CONSENT OF A QUALIFIED EXECUTIVE OF FLORIDA RF LABS INC.							FINISH			-
REV.	DESCRIPTION	DRAWN	APVD.	SCALE	CAGE CODE ID NO.	SIZE	DRAWING NO.:	REV.		
				4/1	2Y194	A	83-7999-*	N/C		
				MFG:	CHKD.:		DRAWN: ALM 09/10/02		SHEET 1 OF 2	

EDD

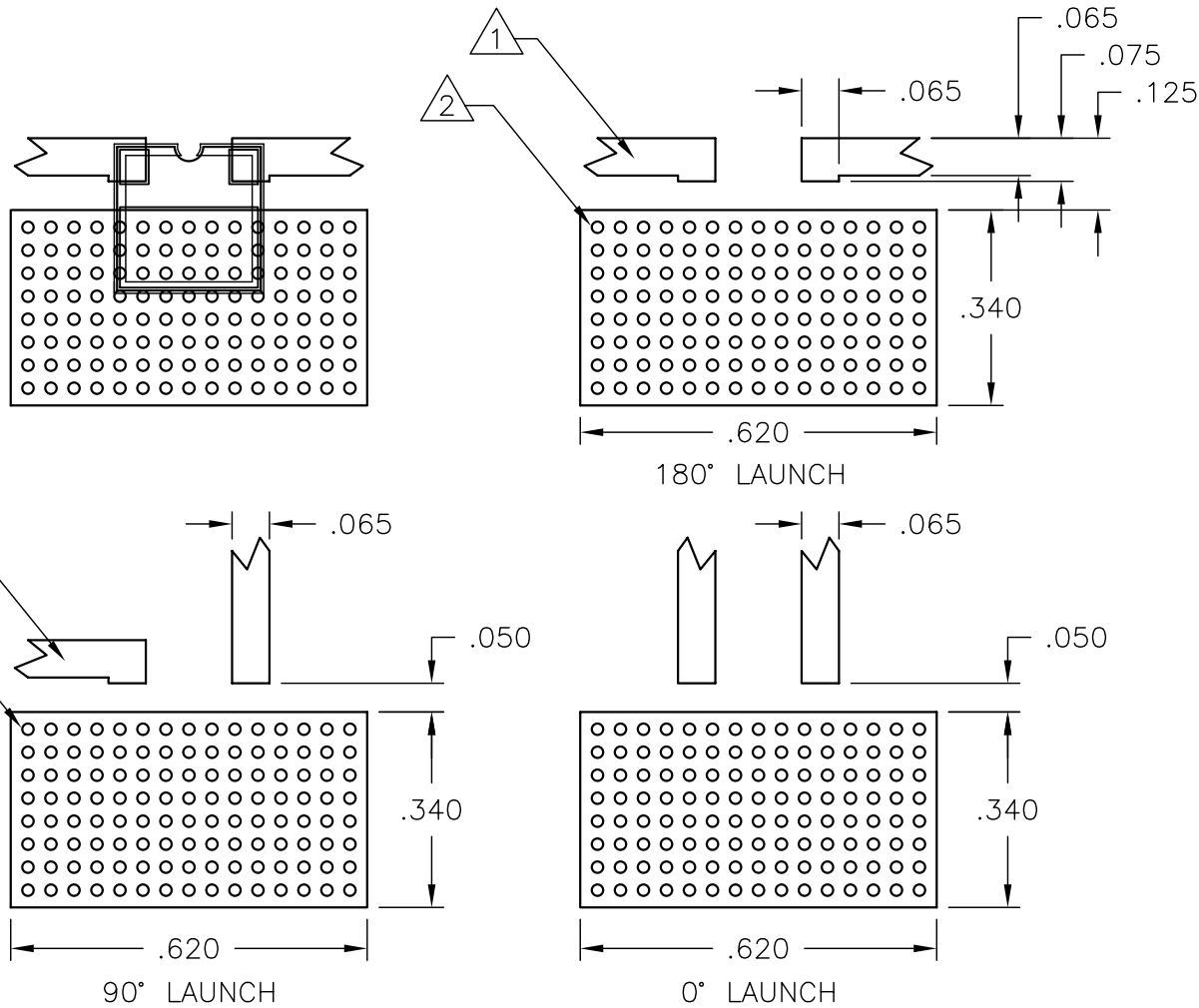
CAD#83-7999

DRAWING NO.:

83-7999-\*

REV.

N/C



NOTES:

- 1. MICROSTRIP TRANSMISSION LINE WIDTHS SHOWN FOR DIELECTRIC CONSTANT 3.5 AND .030" THICK.
- 2. .01 TO .04 DIAMETER SOLDER FILLED VIA HOLES FOR GROUNDING AND HEAT TRANSFER. VIA HOLES SHOULD OCCUPY AT LEAST 15% OF GROUND PAD AREA.

THE INFORMATION CONTAINED HEREIN IS: (A) CONSIDERED PROPRIETARY TO FLORIDA RF LABS INC.; (B) PROTECTED BY COPYRIGHT OWNED BY FLORIDA RF LABS INC.; (C) CONSIDERED A "WORK FOR HIRE" UNDER COPYRIGHT LAW; (D) PROTECTED BY TRADE SECRET LAWS WHICH MAKE ILLEGAL THE MISAPPROPRIATION OF THIS INFORMATION; AND (E) IS TO BE USED SOLELY FOR THE PURPOSE WHICH IT IS SUPPLIED. THIS INFORMATION SHALL NOT BE DISCLOSED IN WHOLE OR IN PART, TO ANY PARTY, FOR ANY REASON WITHOUT THE EXPRESS WRITTEN CONSENT OF A QUALIFIED EXECUTIVE OF FLORIDA RF LABS INC.



8851 OLD KANSAS AVE.  
STUART, FL. 34997  
772-286-9300

SCALE -	CAGE CODE ID NO. 2Y194	SIZE A	DRAWING NO.: 83-7999-*	REV. N/C
MFG: -	CHKD.: -	DRAWN: -	SHEET 2 OF 2	