

EDD

NOTES:
UNLESS OTHERWISE SPECIFIED, TOLERANCES ARE $\pm .010$ " [1.254mm].

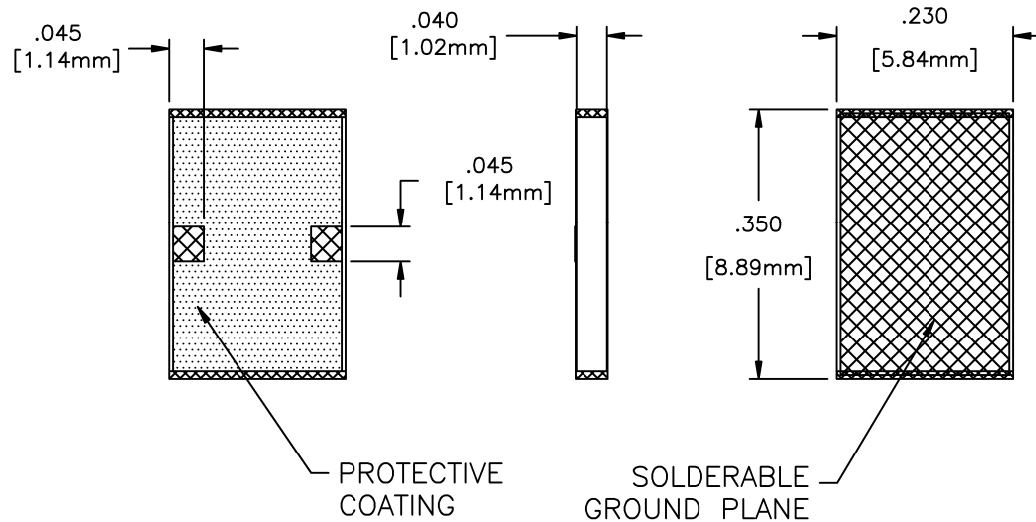
CAD#83A7026F

DRAWING NO.:

83A7026*F

REV.

-



MATERIALS:


SUBSTRATE: ALUMINUM NITRIDE
PROTECTIVE COATING: POLYMER

FINISH:

RoHS COMPLIANT
SOLDERABLE TERMINALS: SILVER
RESISTIVE FILM: THIN FILM

TECHNICAL:

NOMINAL IMPEDANCE (OHMS): 50
VSWR (MAX): 1.20
INPUT POWER (WATTS): 120 @ 85° C
ATTENUATION STABILITY: .0001 dB/dB/°C
ATTENUATION ACCURACY: ± 1.5 dB
FREQUENCY RANGE (GHz): DC-2.4
TEMPERATURE COEFFICIENT: ± 200 PPM/°C MAX
OPERATING TEMP. (°C): -55° TO +150°

				ECN#06-F0704	APVD	DATE	REFERENCE	 8851 OLD KANSAS AVE. STUART, FL. 34997 772-286-9300			
				UNLESS OTHERWISE SPECIFIED 1. DO NOT SCALE DRAWING 2. DIMENSIONS ARE IN INCHES 3. DIMENSIONS ARE AFTER PLATING 4. CORNERS, EDGES AND FILLETS: R MAX 5. SURFACE ROUGHNESS: 6. REMOVE ALL BURRS			MATERIAL	TITLE			
				TOLERANCES .X \pm .XX \pm .XXX \pm ANGLES X° \pm			FINISH	CHIP, ATTENUATOR, 120 WATT, -* = dB			
				THE INFORMATION CONTAINED HEREIN IS: (A) CONSIDERED PROPRIETARY TO FLORIDA RF LABS INC.; (B) PROTECTED BY COPYRIGHT OWNED BY FLORIDA RF LABS INC.; (C) CONSIDERED A "WORK FOR HIRE" UNDER COPYRIGHT LAW; (D) PROTECTED BY TRADE SECRET LAWS WHICH MAKE ILLEGAL THE MISAPPROPRIATION OF THIS INFORMATION; AND (E) IS TO BE USED SOLELY FOR THE PURPOSE WHICH IT IS SUPPLIED. THIS INFORMATION SHALL NOT BE DISCLOSED IN WHOLE OR IN PART, TO ANY PARTY, FOR ANY REASON WITHOUT THE EXPRESS WRITTEN CONSENT OF A QUALIFIED EXECUTIVE OF FLORIDA RF LABS INC.			SCALE	CAGE CODE ID NO.	SIZE	DRAWING NO.:	REV.
							4/1	2Y194	A	83A7026*F	-
REV.	DESCRIPTION	DRAWN	APVD.				MFG:	CHKD.:	DRAWN: JAP 8/9/06	SHEET OF	