

EDD

NOTES:

- UNLESS OTHERWISE SPECIFIED, TOLERANCES ARE $\pm .010"$ [.254mm].
- POLARITY MARKING FOR REFERENCE ONLY.

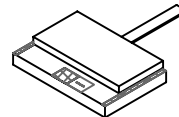
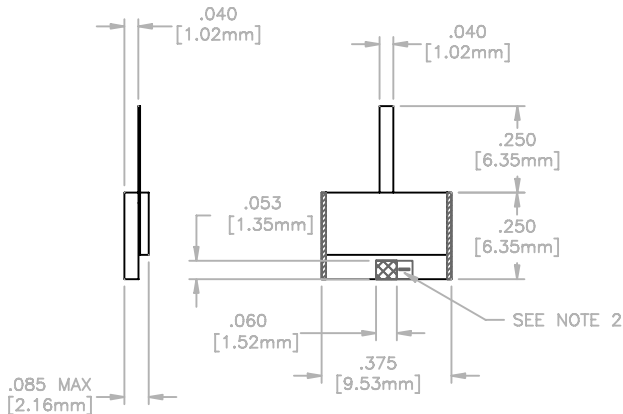
CAD#83A7034TC#

DRAWING NO.:

83A7034TC-*

REV.

B



MATERIALS:


SUBSTRATE: ALUMINUM NITRIDE
 COVER: ALUMINA
 TAB: BERYLLIUM COPPER
 RESISTIVE FILM: NICHROME

FINISH:

LEAD FREE, ROHS COMPLIANT
 TAB: SILVER OVER NICKEL

TECHNICAL:

NOMINAL IMPEDANCE (OHMS): 50
 FREQUENCY RANGE (GHz): DC-2.2
 VSWR (MAX): 1.15:1 DC-1 GHz
 1.35:1 1-2 GHz
 1.40:1 2-2.2 GHz
 INPUT POWER (WATTS): 150
 ATTENUATION RANGE (dB): 1-20 ± 5
 30 ± 1.0
 ATTENUATION STABILITY: .0001 dB/dB/ $^{\circ}$ C
 OPERATING TEMP. ($^{\circ}$ C): -55 $^{\circ}$ TO +150 $^{\circ}$

			EN# 05-F0584	APVD	DATE	REFERENCE	 8851 OLD KANSAS AVE. STUART, FL. 34997 772-286-9300			
			UNLESS OTHERWISE SPECIFIED 1. DO NOT SCALE DRAWING 2. DIMENSIONS ARE IN INCHES 3. DIMENSIONS ARE AFTER PLATING 4. CORNERS, EDGES AND FILLETS: R MAX 5. SURFACE ROUGHNESS 6. REMOVE ALL BURRS TOLERANCES .X \pm .XX \pm .XXX \pm ANGLES X' \pm			MATERIAL	TITLE			
						MATERIAL	TAB & COVER			
						FINISH	ATTENUATOR			
							150 WATT, * = dB			
B	EN#04-F0504	AM 4/20/08	THE INFORMATION CONTAINED HEREIN IS (A) CONSIDERED PROPRIETARY TO FLORIDA LABS INC.; (B) PROTECTED BY COPYRIGHT OWNED BY FLORIDA LABS INC.; (C) CONSIDERED A "WORK FOR HIRE" UNDER COPYRIGHT LAW; (D) PROTECTED BY TRADE SECRET LAWS WHICH MAKE ELIGIBLE THE MISAPPROPRIATION OF THIS INFORMATION; AND (E) IS TO BE USED SOLELY FOR THE PURPOSES WHICH IT IS SUPPLIED. THIS INFORMATION SHALL NOT BE DISCLOSED IN WHOLE OR IN PART, TO ANY PARTY, FOR ANY REASON WITHOUT THE EXPRESS WRITTEN CONSENT OF A QUALIFIED EXECUTIVE OF FLORIDA LABS INC.			SCALE	CAGE CODE ID NO. OF FLORIDA LABS INC.	SIZE	DRAWING NO.:	REV.
A	EN#06-F0255	JG 4/4/08				3/1	2Y194	A	83A7034TC-*	B
REV.	DESCRIPTION	DRAWN	APVD.	MFG:	CHKD.:	DRAWN:	MWS 08/31/05	SHEET	OF	