

EDD

CAD#D10J20

DRAWING NO.:

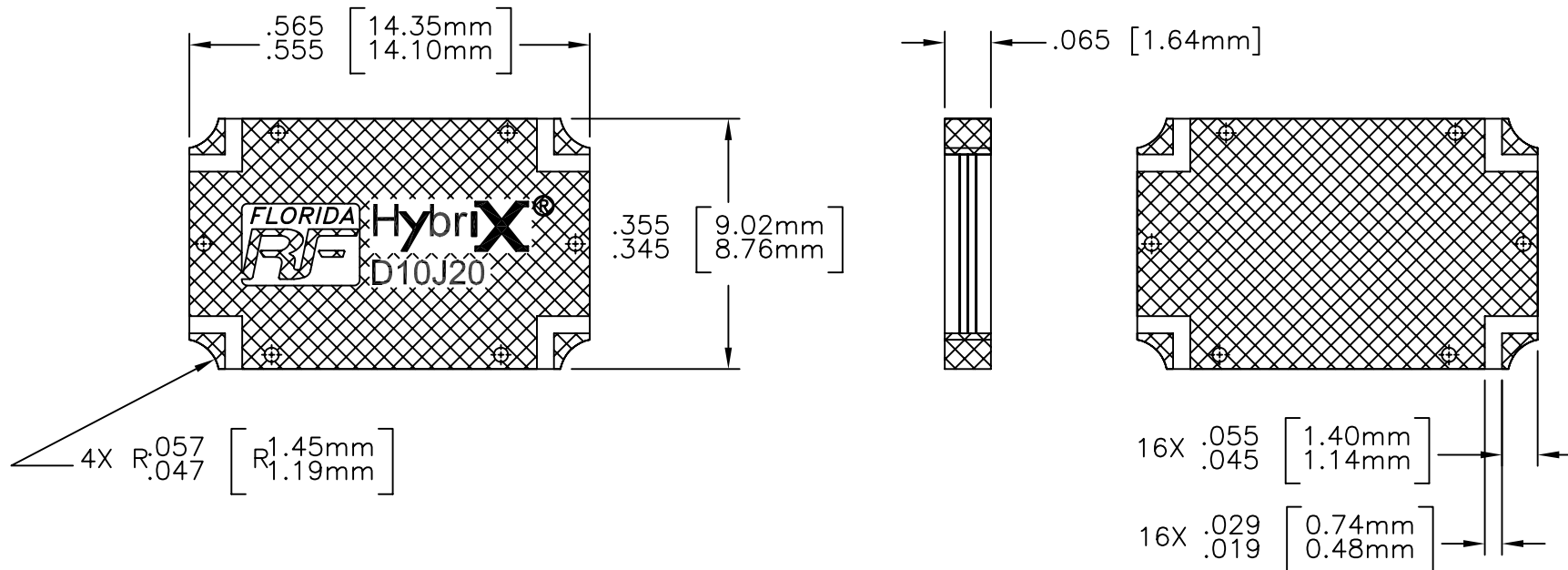
D10J20


REV.

N/C

NOTES:

- 1. DIRECTIVITY (MIN): 1.4 – 2.2 GHZ, 21 dB; 1.6 – 2.0 GHZ, 22 dB.
- INSERTION LOSS (MAX): 1.4 – 1.6 GHZ, 0.30 dB; 1.6 – 1.8 GHZ, 0.35 dB;
- 1.8 – 2.0 GHZ, 0.40 dB; 2.0 – 2.2 GHZ, 0.45 dB.
- VSWR (MAX): 1.4 – 2.2 GHZ, 1.20; 1.6 – 2.0 GHZ, 1.18.
- COUPLING: 1.4 – 2.2 GHZ, 20.1 ± 1.1 dB; 1.6 – 2.0 GHZ, 19.9 ± 0.9 dB.
- RIPPLE (MAX): 1.4 – 2.2 GHZ, ± 0.3 dB; 1.6 – 2.0 GHZ, ± 0.2 dB.
- POWER HANDLING: 100 WATT MAX CONTINUOUS @85°C MAX
- OPERATING TEMPERATURE RANGE: -55°C TO +85°C



ECN#: 2338		APVD	DATE	REFERENCE	 8851 OLD KANSAS AVE. STUART, FL. 34997 772-286-9300		
UNLESS OTHERWISE SPECIFIED 1. DO NOT SCALE DRAWING 2. DIMENSIONS ARE IN INCHES 3. DIMENSIONS ARE AFTER PLATING 4. CORNERS, EDGES AND FILLETS: R 5. SURFACE ROUGHNESS: 6. REMOVE ALL BURRS				MATERIAL	TITLE		
TOLERANCES .X ± .XX ±                      ANGLES X° ± .XXX ± .005				FINISH	COUPLER, DIRECTIONAL, 100 WATT		
THE INFORMATION CONTAINED HEREIN IS: (A) CONSIDERED PROPRIETARY TO FLORIDA RF LABS INC.; (B) PROTECTED BY COPYRIGHT OWNED BY FLORIDA RF LABS INC.; (C) CONSIDERED A "WORK FOR HIRE" UNDER COPYRIGHT LAW; (D) PROTECTED BY TRADE SECRET LAWS WHICH MAKE ILLEGAL THE MISAPPROPRIATION OF THIS INFORMATION; AND (E) IS TO BE USED SOLELY FOR THE PURPOSE WHICH IT IS SUPPLIED. THIS INFORMATION SHALL NOT BE DISCLOSED IN WHOLE OR IN PART, TO ANY PARTY, FOR ANY REASON WITHOUT THE EXPRESS WRITTEN CONSENT OF A QUALIFIED EXECUTIVE OF FLORIDA RF LABS INC.				SCALE	CAGE CODE ID NO.	SIZE	
				4/1	2Y194	A	
				DRAWING NO.:	REV.		
				D10J20	N/C		
REV.	DESCRIPTION	DRAWN	APVD.	MFG:	CHKD:	DRAWN: JG 10/20/04	SHEET OF