

EDD

CAD#D15D20

DRAWING NO.:

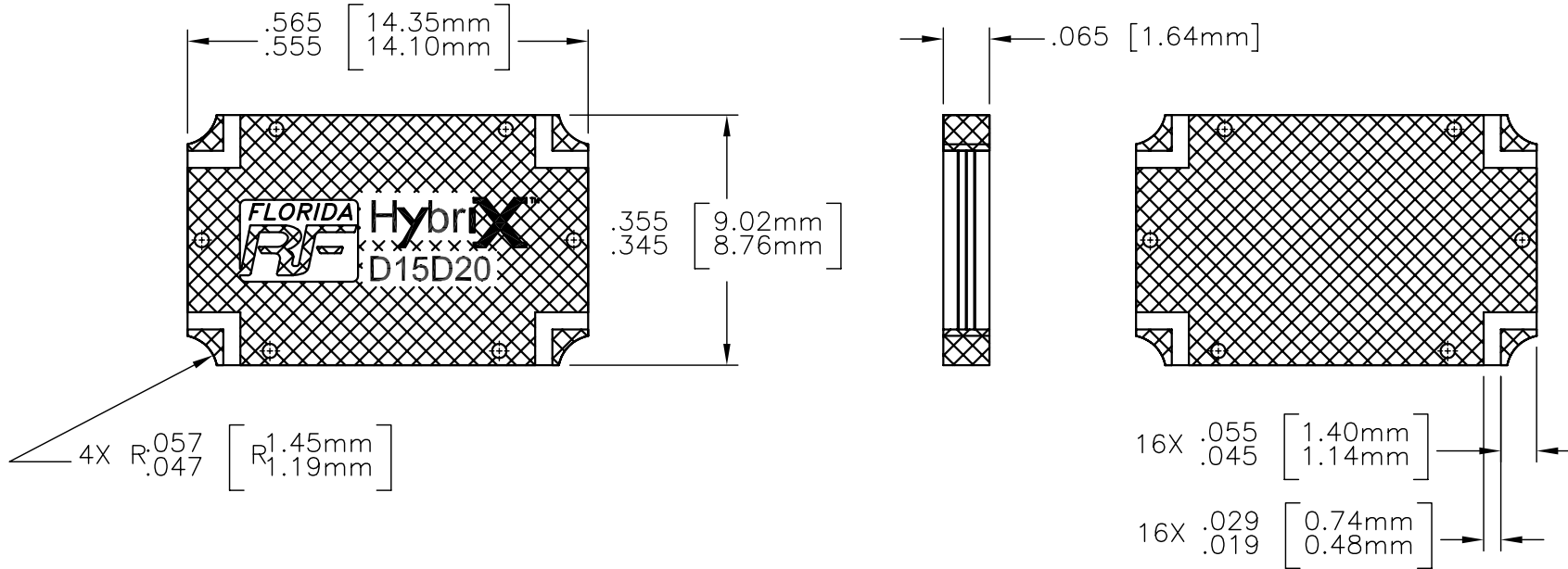
D15D20


REV.

N/C

NOTES:

- FREQUENCY: 815–960 MHz
 ISOLATION (MIN): 38 dB
 INSERTION LOSS (MAX): 0.3 dB
 VSWR (MAX): 1.25:1
 COUPLING: 19.3 ± 0.3 dB
 RIPPLE (MAX): ± 0.2 dB
 POWER HANDLING: 150 WATT MAX CONTINUOUS @85°C MAX
 OPERATING TEMPERATURE RANGE: -55°C TO +85°C



				ECN#: 01726	APVD	DATE	REFERENCE	 8851 OLD KANSAS AVE. STUART, FL. 34997 772-286-9300			
				UNLESS OTHERWISE SPECIFIED 1. DO NOT SCALE DRAWING 2. DIMENSIONS ARE IN INCHES 3. DIMENSIONS ARE AFTER PLATING 4. CORNERS, EDGES AND FILLETS: R MAX 5. SURFACE ROUGHNESS: 6. REMOVE ALL BURRS			MATERIAL	TITLE			
				TOLERANCES .X ± .XX ± .XXX ± .005 ANGLES X° ±			FINISH	COUPLER, DIRECTIONAL, 150 WATT			
				THE INFORMATION CONTAINED HEREIN IS: (A) CONSIDERED PROPRIETARY TO FLORIDA RF LABS INC.; (B) PROTECTED BY COPYRIGHT OWNED BY FLORIDA RF LABS INC.; (C) CONSIDERED A "WORK FOR HIRE" UNDER COPYRIGHT LAW; (D) PROTECTED BY TRADE SECRET LAWS WHICH MAKE ILLEGAL THE MISAPPROPRIATION OF THIS INFORMATION; AND (E) IS TO BE USED SOLELY FOR THE PURPOSE WHICH IT IS SUPPLIED. THIS INFORMATION SHALL NOT BE DISCLOSED IN WHOLE OR IN PART, TO ANY PARTY, FOR ANY REASON WITHOUT THE EXPRESS WRITTEN CONSENT OF A QUALIFIED EXECUTIVE OF FLORIDA RF LABS INC.			SCALE	CAGE CODE ID NO.	SIZE	DRAWING NO.:	REV.
				4/1	2Y194	A	D15D20	N/C			
REV.	DESCRIPTION	DRAWN	APVD.	MFG:	CHKD:	DRAWN: ALM	02/17/04	SHEET	OF		