

EDD

NOTES:

1. UNLESS OTHERWISE SPECIFIED, TOLERANCES ARE  $\pm .010"$  [.254mm].

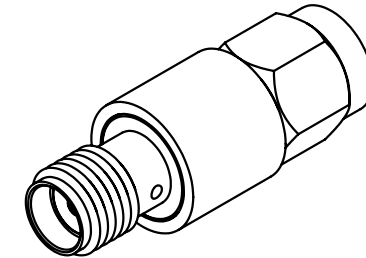
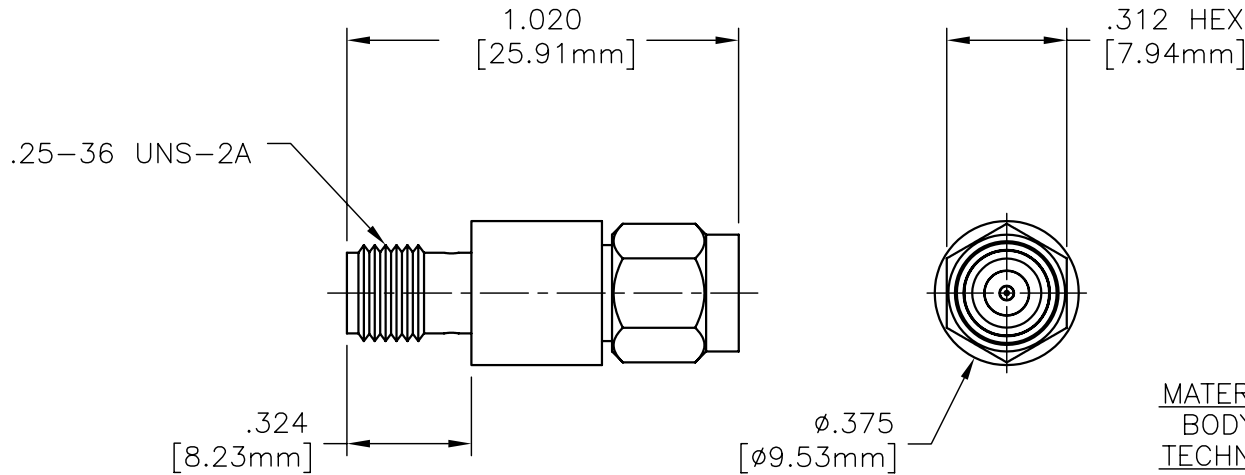
CAD#DCB10L16S

DRAWING NO.:

DCB10L16S

REV.

N/C



MATERIAL:

BODY: STAINLESS STEEL PER ASTM A582

TECHNICAL:

MEETS REQ OF MIL-A-3933 & MIL-C-39012

FREQUENCY: 20 KHz-10 GHz


VSWR (MAX): 1.35:1

IMPEDANCE: 50 OHMS

DC VOLTS: 16 V

INSERTION LOSS (TYP/MAX : 0.4/0.6 dB

OPERATING TEMPERATURE: -55°C TO +125°C

				ECN# 02095	APVD	DATE	REFERENCE	 8851 OLD KANSAS AVE. STUART, FL. 34997 772-286-9300			
				UNLESS OTHERWISE SPECIFIED 1. DO NOT SCALE DRAWING 2. DIMENSIONS ARE IN INCHES 3. DIMENSIONS ARE AFTER PLATING 4. CORNERS, EDGES AND FILLETS: R 5. SURFACE ROUGHNESS: 6. REMOVE ALL BURRS			MATERIAL		TITLE		
				TOLERANCES .X $\pm$ .XX $\pm$ .XXX $\pm$ ANGLES X° $\pm$			FINISH	DC BLOCK SMA 16 VOLTS			
				THE INFORMATION CONTAINED HEREIN IS: (A) CONSIDERED PROPRIETARY TO FLORIDA RF LABS INC.; (B) PROTECTED BY COPYRIGHT OWNED BY FLORIDA RF LABS INC.; (C) CONSIDERED A "WORK FOR HIRE" UNDER COPYRIGHT LAW; (D) PROTECTED BY TRADE SECRET LAWS WHICH MAKE ILLEGAL THE MISAPPROPRIATION OF THIS INFORMATION; AND (E) IS TO BE USED SOLELY FOR THE PURPOSE WHICH IT IS SUPPLIED. THIS INFORMATION SHALL NOT BE DISCLOSED IN WHOLE OR IN PART, TO ANY PARTY, FOR ANY REASON WITHOUT THE EXPRESS WRITTEN CONSENT OF A QUALIFIED EXECUTIVE OF FLORIDA RF LABS INC.			SCALE	CAGE CODE ID NO.	SIZE	DRAWING NO.:	REV.
							2/1	2Y194	A	DCB10L16S	N/C
REV.	DESCRIPTION	DRAWN	APVD.				MFG:	CHKD.: MD 10/18/03	DRAWN: ALM 08/08/03	SHEET	OF