

EDD

CAD#DN10J10-R14

DRAWING NO.:

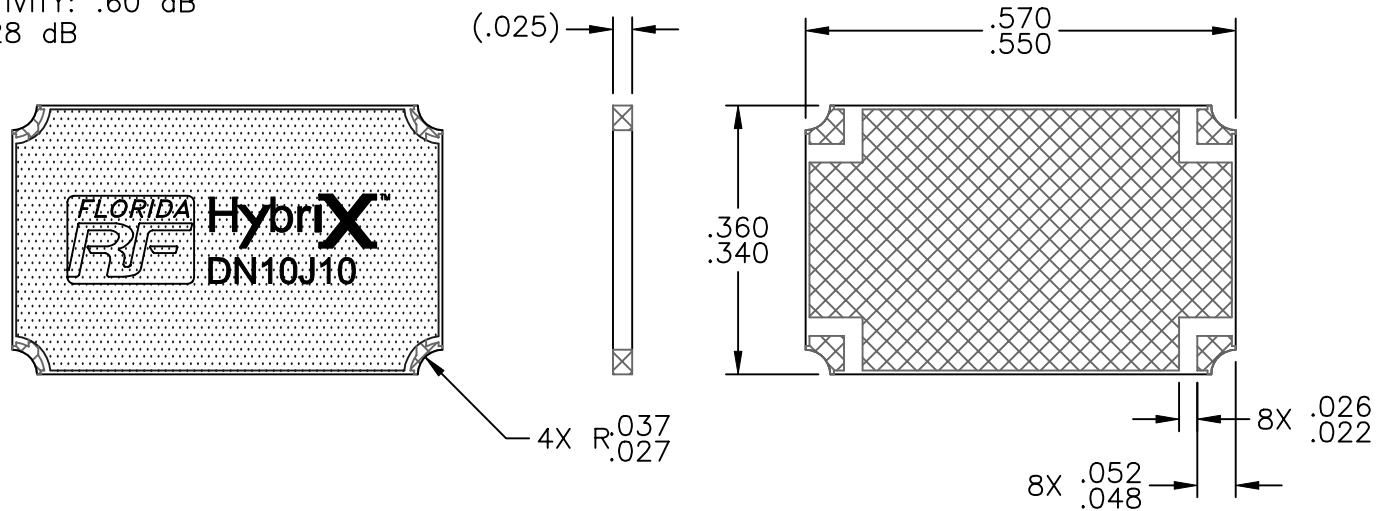
DN10J10


REV.

N/C

NOTES:

1. FREQUENCY: 1.7–2.0 GHz
 MEAN COUPLING: 10 dB ± 1.0 dB
 INSERTION LOSS (MAX): .25 dB
 VSWR (MAX): 1.1:1
 FREQUENCY SENSITIVITY (MAX): .30 dB
 ISOLATION (MIN): 28 dB
2. EXTENDED RANGE:
 FREQUENCY: 1.5–2.3 GHz
 MEAN COUPLING: 10 dB ± 1.0
 INSERTION LOSS (MAX): .25 dB
 VSWR (MAX): 1.1:1
 FREQUENCY SENSITIVITY: .60 dB
 ISOLATION (MIN): 28 dB



ECN#: 01276		APVD OA	DATE 04/11/02	REFERENCE	 8851 OLD KANSAS AVE. STUART, FL. 34997 772-286-9300			
UNLESS OTHERWISE SPECIFIED 1. DO NOT SCALE DRAWING 2. DIMENSIONS ARE IN INCHES 3. DIMENSIONS ARE AFTER PLATING 4. CORNERS, EDGES AND FILLETS: R MAX 5. SURFACE ROUGHNESS: 6. REMOVE ALL BURRS				MATERIAL		TITLE COUPLER, DIRECTIONAL, 100 WATT, 10.00dB		
TOLERANCES .X ± .XX ± .XXX ± ANGLES X° ±				FINISH				
THE INFORMATION CONTAINED HEREIN IS: (A) CONSIDERED PROPRIETARY TO FLORIDA RF LABS INC.; (B) PROTECTED BY COPYRIGHT OWNED BY FLORIDA RF LABS INC.; (C) CONSIDERED A "WORK FOR HIRE" UNDER COPYRIGHT LAW; (D) PROTECTED BY TRADE SECRET LAWS WHICH MAKE ILLEGAL THE MISAPPROPRIATION OF THIS INFORMATION; AND (E) IS TO BE USED SOLELY FOR THE PURPOSE WHICH IT IS SUPPLIED. THIS INFORMATION SHALL NOT BE DISCLOSED IN WHOLE OR IN PART, TO ANY PARTY, FOR ANY REASON WITHOUT THE EXPRESS WRITTEN CONSENT OF A QUALIFIED EXECUTIVE OF FLORIDA RF LABS INC.				SCALE 4/1	CAGE CODE ID NO. 2Y194	SIZE A	DRAWING NO.:	REV.
REV.	DESCRIPTION	DRAWN	APVD.	MFG:	CHKD: DR 04/03/02	DRAWN: BLP 04/01/02	SHEET	OF